



# PARTS LIST

## 600 Series

652BK	653BK
-------	-------

662BK	663BK
-------	-------

662BKIM	663BKIM
---------	---------

682BK	683BK
-------	-------

682BKIM	683BKIM
---------	---------

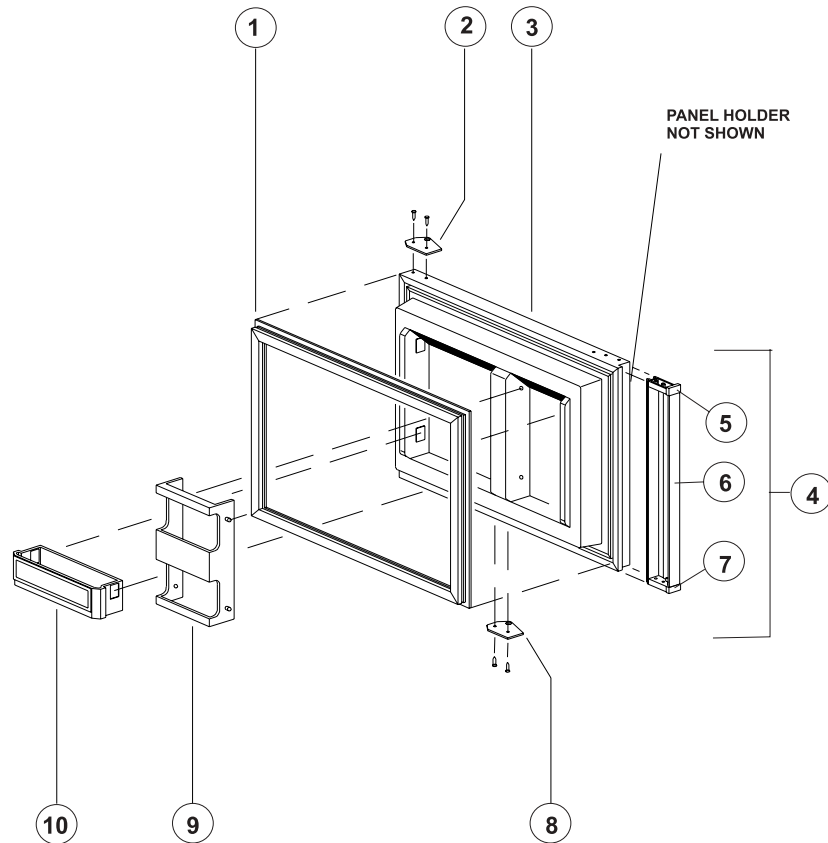
652BN	653BN
-------	-------

662BN	663BN
-------	-------

682BN	683BN
-------	-------

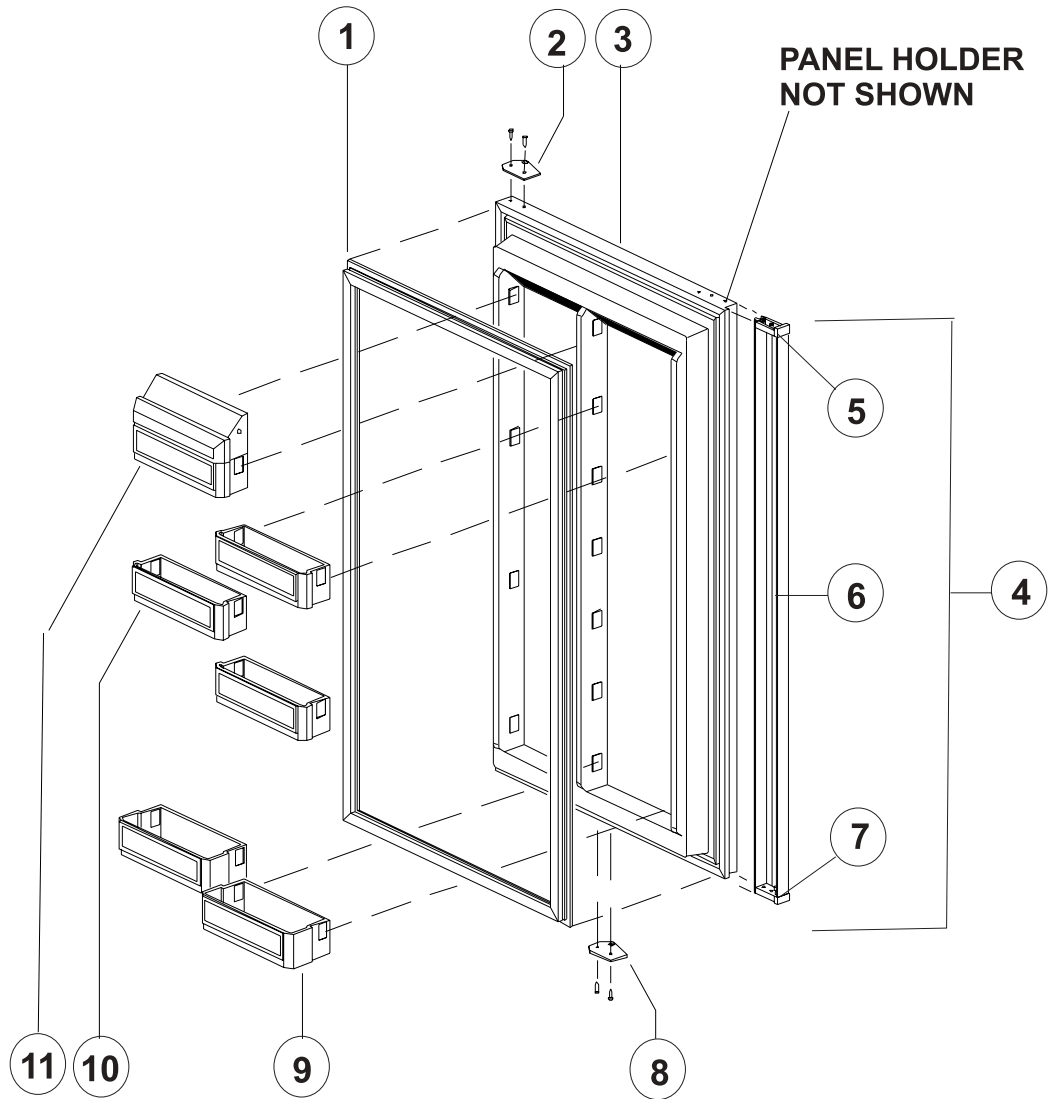
682BNIM
---------

# UPPER DOOR - 66, 68, 66IM, 68IM SERIES - BLACK OR BROWN



NO.	PART #	DESCRIPTION	66	68	66IM	68IM
1	61567830	DOOR GASKET-UPPER/GRAY	X	X	X	X
2	61631330	HINGE PLATE-BLACK/RH TOP/LH BOTTOM/PLASTIC	BLK	BLK	BLK	BLK
	61631322	HINGE PLATE-BROWN/RH TOP/LH BOTTOM/PLASTIC (USE 61631330)	BRN	BRN		BRN
3	61581838-B	DOOR LINER ASSY-FOAMED/UPPER/BLACK/WHITE (USE 61689938)	BLK	BLK	BLK	BLK
	61581837-B	DOOR LINER ASSY-FOAMED/UPPER/BROWN/WHITE LINER (USE 61689938)	BRN	BRN		BRN
NS	61592930	PANEL HOLDER-BLACK/UPPER DOOR (NOT SHOWN)	BLK	BLK	BLK	BLK
NS	61592923	PANEL HOLDER-BROWN/UPPER DOOR (NOT SHOWN)(USE 61592930)	BRN	BRN		BRN
4	61743638	DOOR HANDLE ASSY-UPPER/BLACK	BLK	BLK	BLK	BLK
	61743637	DOOR HANDLE ASSY-UPPER/BROWN (USE 61743638)	BRN	BRN		BRN
	61650038	DOOR HANDLE ASSY-UPPER/BLACK (USE 61743638)	BLK	BLK	BLK	BLK
	61650037	DOOR HANDLE ASSY-UPPER/BROWN (USE 61743638)	BRN	BRN		BRN
5	61593830	END CAP-BLACK/STOP CATCH	BLK	BLK	BLK	BLK
	61593822	END CAP-BROWN/STOP CATCH (USE 61593830)	BRN	BRN		BRN
6	61743622	DOOR HANDLE WITH DECAL-UPPER	X	X	X	X
	61666722	DOOR HANDLE WITH DECAL-UPPER (USE 61743622)	X	X	X	X
7	61593730	END CAP-BLACK/SPRING CATCH	BLK	BLK	BLK	BLK
	61593722	END CAP-BROWN/SPRING CATCH (USE 61593730)	BRN	BRN		BRN
NS	61558822	SPRING-DOOR HANDLE	X	X	X	X
8	61631430	HINGE PLATE-BLACK/LH TOP/RH BOTTOM/PLASTIC	BLK	BLK	BLK	BLK
	61631422	HINGE PLATE-BROWN/LH TOP/RH BOTTOM/PLASTIC (USE 61631430)	BRN	BRN		BRN
9	61580540	JUICE RACK-GRAY/SILVER TRIM (USE 61580525)	X	X		
	61580525	JUICE RACK-WHITE	X	X		
10	61564060	BIN-DOOR SHELF/GRAY/SILVER BORDER (USE 61564025)	X	X	X	X
	617759	BIN-DOOR SHELF/WHITE/BLUE TRIM (USE 61564025)	X	X	X	X

# LOWER DOOR (FRESH FOOD) - 600 SERIES - BLACK OR BROWN



## LOWER DOOR (FRESH FOOD) - 600 SERIES - BLACK OR BROWN

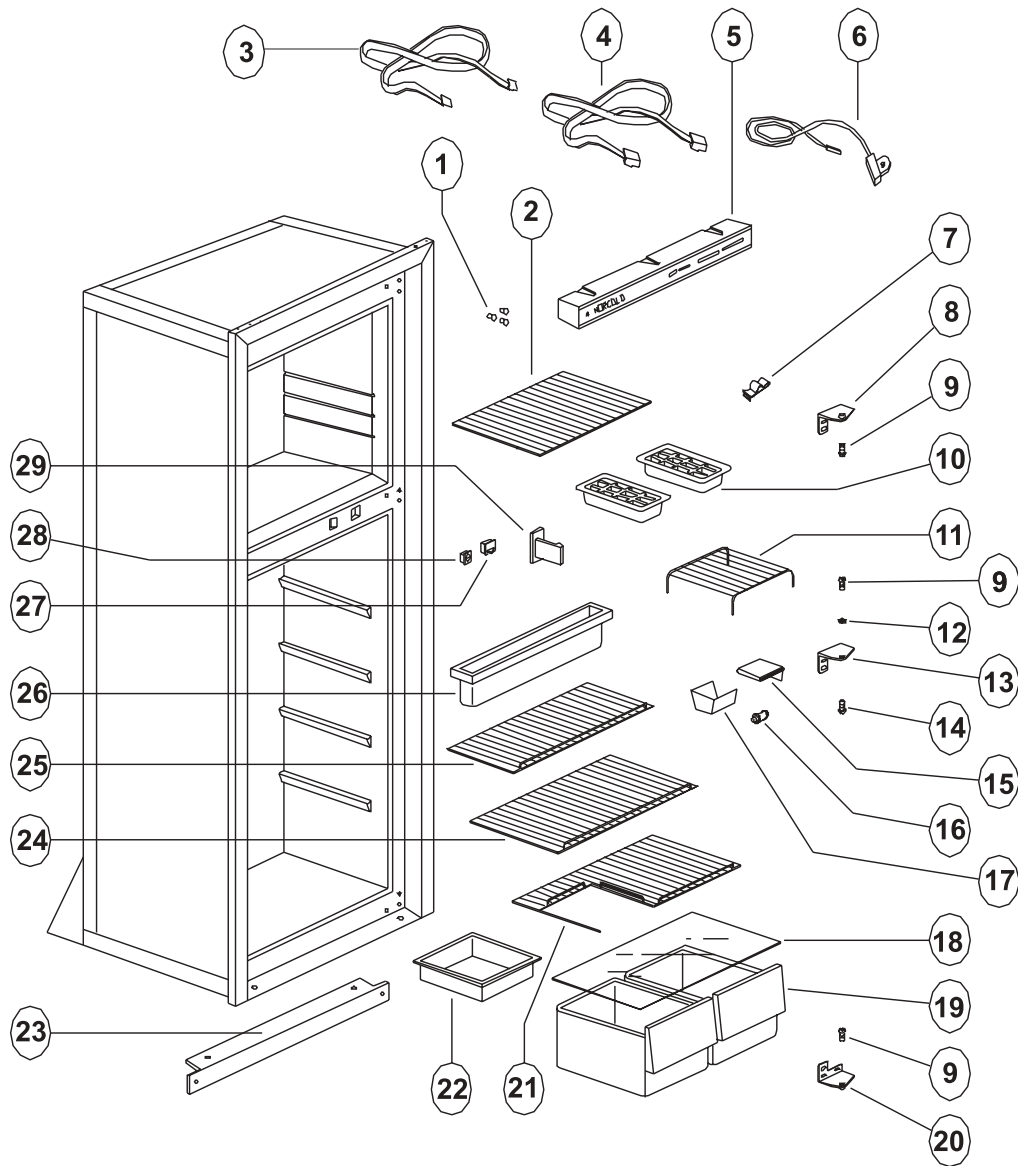
NO.	PART #	DESCRIPTION	65	66	68	66IM	68IM
1	61568030	DOOR GASKET-LOWER/GRAY	X		X		X
	61567930	DOOR GASKET-LOWER/GRAY		X		X	
2	61631330	HINGE PLATE-BLACK/RH TOP/LH BOTTOM/PLASTIC	BLK	BLK	BLK	BLK	BLK
	61631322	HINGE PLATE-BROWN/RH TOP/LH BOTTOM/PLASTIC (USE 61631330)	BRN	BRN	BRN		BRN
3	61581738-B	DOOR LINER ASSY-FOAMED/LOWER/BLACK/WHITE	BLK		BLK		BLK
	61581737-B	DOOR LINER ASSY-FOAMED/LOWER/BROWN/WHITE (USE 61581738-B)	BRN		BRN		BRN
	61581938-B	DOOR LINER ASSY-FOAMED/LOWER/BLACK/WHITE LINER (USE 61690038)		BLK		BLK	
	61581937-B	DOOR LINER ASSY-FOAMED/LOWER/BROWN/WHITE LINER (USE 61690038)		BRN			
NS	61593130	PANEL HOLDER-BLACK/LOWER DOOR (NOT SHOWN)	BLK		BLK		BLK
NS	61593123	PANEL HOLDER-BROWN/LOWER DOOR (USE 61593130) (NOT SHOWN)	BRN		BRN		BRN
NS	61593030	PANEL HOLDER-BLACK/LOWER DOOR (NOT SHOWN)		BLK		BLK	
NS	61593023	PANEL HOLDER-BROWN/LOWER DOOR (USE 61593030) (NOT SHOWN)		BRN			
4	61649938	DOOR HANDLE ASSY-LOWER/BLACK (USE 61648838)	BLK		BLK		BLK
	61649937	DOOR HANDLE ASSY-LOWER/BROWN (USE 61648838)	BRN		BRN		BRN
	61743538	DOOR HANDLE ASSY-LOWER/BLACK (USE 61648838)	BLK		BLK		BLK
	61743537	DOOR HANDLE ASSY-LOWER/BROWN (USE 61648838)	BRN		BRN		BRN
	61743738	DOOR HANDLE ASSY-LOWER/BLACK (USE 61743738)		BLK		BLK	
	61743737	DOOR HANDLE ASSY-LOWER/BROWN (USE 61743738)		BRN			
	61650138	DOOR HANDLE ASSY-LOWER/BLACK (USE 61743738)		BLK		BLK	
	61650137	DOOR HANDLE ASSY-LOWER/BROWN (USE 61743738)		BRN			
5	61593830	END CAP-BLACK/STOP CATCH	BLK	BLK	BLK	BLK	BLK
	61593822	END CAP-BROWN/STOP CATCH (USE 61593830)	BRN	BRN	BRN		BRN
6	61666622	DOOR HANDLE WITH DECAL-LOWER (USE 61648422)	X		X		X
	61743522	DOOR HANDLE WITH DECAL-LOWER (USE 61648422)	X		X		X
	61666822	DOOR HANDLE WITH DECAL-LOWER (USE 61743722)		X		X	
	61743722	DOOR HANDLE WITH DECAL-LOWER		X		X	
7	61593730	END CAP-BLACK/SPRING CATCH	BLK	BLK	BLK	BLK	BLK
	61593722	END CAP-BROWN/SPRING CATCH (USE 61593730)	BRN	BRN	BRN		BRN
NS	61558822	SPRING-DOOR HANDLE	X	X	X	X	X
8	61631430	HINGE PLATE-BLACK/LH TOP/RH BOTTOM/PLASTIC	BLK	BLK	BLK	BLK	BLK
	61631422	HINGE PLATE-BROWN/LH TOP/RH BOTTOM/PLASTIC (USE 61631430)	BRN	BRN	BRN		BRN
9	61579460	BIN-MILK/GRAY/SILVER BORDER (USE 61579425)	X	X	X	X	X
	617757	BIN-MILK/WHITE/BLUE TRIM (USE 61579425)	X	X	X	X	X
10	61564060	BIN-DOOR SHELF/GRAY/SILVER BORDER (USE 61564025)	X	X	X	X	X
	617759	BIN-DOOR SHELF/WHITE/BLUE TRIM (USE 61564025)	X	X	X	X	X
11	61580460	DAIRY KEEPER-GRAY/SILVER BORDER	X	X	X	X	X
	617760	DAIRY KEEPER-WHITE/BLUE TRIM	X	X	X	X	X



## CABINET ASSEMBLY - FRONT VIEW - 65 SERIES BLACK OR BROWN

NO.	PART #	DESCRIPTION	65
1	61582030	HOLE PLUG-BLACK/HINGE HOLES	BLK
	61582022	HOLE PLUG-BROWN/HINGE HOLES (USE (61582030))	BRN
2	61632930	MOUNTING CLIP-RH/WHITE/EVAPORATOR DOOR	X
3	619041	SPRING HOLDER ASSY-RH/EVAP DOOR/SILVER SPRING	X
4	61571522	CABLE-GRAY/ 80"/PC BOARD TO POWER SUPPLY BOARD	X
5	61660937	EYEBROW ASSY-EG2	EG2
	61661037	EYEBROW ASSY-EG3	EG3
6	61621122	THERMISTER-66" (USE 61693822)	X
	61693822	THERMISTER-66"	X
7	61689122	CLIP-THERMISTER MOUNTING/FIN	X
8	61580830	HINGE BRACKET-RH TOP/LH BTM/BLACK	BLK
	61580837	HINGE BRACKET-BROWN/RH TOP/LH BTM (USE 61580830)	BRN
9	61578130	HINGE PIN-BLACK/MALE	BLK
	61578123	HINGE PIN-BROWN/MALE	BRN
10	61630422	ICE CUBE TRAY-PLASTIC	X
11	61578522	DOOR LATCH	X
12	61619930	DRIP TRAY-INSIDE	X
13	61563722	SHELF-WIRE/TOP WITH LH RISER (USE 618651)	X
	617726	SHELF-WIRE/TOP WITH RH RISER (USE 618651)	X
	618062	SHELF-WIRE/TOP/RH RISER (USE 618651)	X
14	61646722	SHELF-WIRE/WITH CUT OUT (USE 618055)	X
	618055	SHELF-WIRE/CUT OUT	X
NS	61622722	RETAINER-WIRE SHELF (NOT SHOWN)	X
15	61580322	RETAINER-GLASS SHELF	X
16	61564122	CRISPER COVER-GLASS SHELF	X
17	61571360	CRISPER-GRAY/SILVER BORDER (USE 61571325)	X
	617758	CRISPER-WHITE/BLUE TRIM (USE 61571325)	X
18	61580930	HINGE BRACKET-LH TOP/RH BTM/BLACK	BLK
	61580937	HINGE BRACKET-LH TOP/RH BTM/BROWN (USE 61580930)	BRN
19	61622130	FRONT COVER-BLACK/REPLACEABLE BOTTOM TRIM	BLK
	61622123	FRONT COVER-BROWN/REPLACEABLE BOTTOM TRIM (USE 61622130)	BRN
20	619042	SPRING HOLDER ASSY-LH/EVAP DOOR/YELLOW SPRING	X
21	61633030	MOUNTING CLIP-LH/WHITE/EVAPORATOR DOOR	X
22	61620738	EVAPORATOR DOOR ASSY-WHITE/WITHOUT DECAL	X
NS	61618730	DOOR GASKET-EVAPORATOR/GRAY (NOT SHOWN)	X
NS	61579730	CAP-SNAP ON/BLACK/INSTALLATION HOLES (NOT SHOWN)	BLK
NS	61579722	CAP-SNAP ON/BROWN/INSTALLATION HOLES (NOT SHOWN) (USE 61579730)	BRN
NS	61580630	HINGE PIN-BLACK/TOP/BOTTOM HINGE/FEMALE (NOT SHOWN)	BLK
NS	61580623	HINGE PIN-BROWN/TOP/BOTTOM HINGE/FEMALE (USE 61580630)	BRN

# CABINET ASSEMBLY - FRONT VIEW - 66 ,68 SERIES - BLACK OR BROWN



ART00467

NO.	PART #	DESCRIPTION	66	68	66IM	68IM
1	61582030	HOLE PLUG-BLACK/HINGE HOLES	BLK	BLK	BLK	BLK
	61582022	HOLE PLUG-BROWN/HINGE HOLES (USE 61582030)	BRN	BRN		BRN
2	61710622	SHELF-WIRE/FREEZER (USE 618650)	X	X		
	618057	SHELF-WIRE/FREEZER (USE 618650)	X	X		
NS	61710522	SHELF-WIRE/FREEZER/ICE MAKER (USE 618058)(NOT SHOWN)			X	X
NS	618058	SHELF-WIRE/FREEZER/WHITE/ICE MAKER (NOT SHOWN)			X	X
3	61718722	HUMIDITY SWITCH HARNESS ASSY	X	X	X	X
4	61571522	CABLE-GRAY/ 80"/PC BOARD TO POWER SUPPLY BOARD	X	X	X	X
5	61660937	EYEBROW ASSY-EG2	EG2	EG2	EG2	EG2
	61724138	EYEBROW ASSY-EG2	EG2	EG2	EG2	EG2
	61661037	EYEBROW ASSY-EG3	EG3	EG3	EG3	EG3
	61724038	EYEBROW ASSY-EG3	EG3	EG3	EG3	EG3
6	61621122	THERMISTER-66" (USE 61693822)	X	X		
	61693822	THERMISTER-66"	X	X	X	X
7	61689122	CLIP-THERMISTER MOUNTING/FIN	X	X	X	X

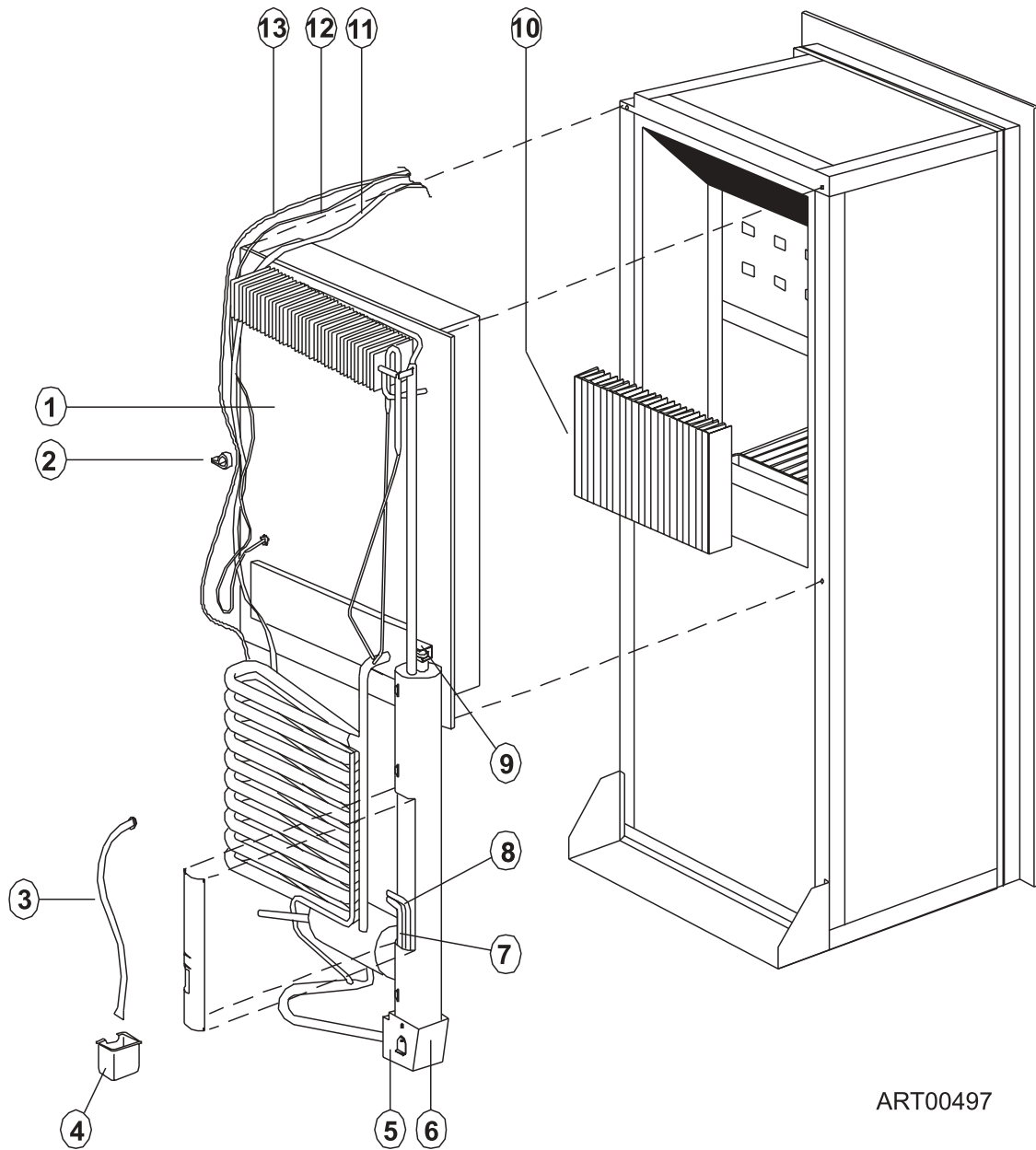
(Continued on Page 8)

## CABINET ASSEMBLY - FRONT VIEW - 66 ,68 SERIES - BLACK OR BROWN

NO.	PART #	DESCRIPTION	66	68	66IM	68IM
8	61580830	HINGE BRACKET-RH TOP/LH BTM/BLACK	BLK	BLK	BLK	BLK
	61580837	HINGE BRACKET-RH TOP/LH BTM/BROWN (USE 61580830)	BRN	BRN		BRN
9	61578130	HINGE PIN-BLACK/MALE	BLK	BLK	BLK	BLK
	61578123	HINGE PIN-BROWN/MALE	BRN	BRN		BRN
10	61630422	ICE CUBE TRAY-PLASTIC	X	X		
NS	618464	BIN-ICE BIN/WHITE/RELOCATED IM (NOT SHOWN)			X	X
NS	61688322	BIN-ICE/ICE MAKER/GRAY (USE 617761)(NOT SHOWN)			X	X
NS	617761	BIN-ICE/ICE MAKER/WHITE (NOT SHOWN)			X	X
11	61523622	SHELF-WIRE/EVAPORATOR	X	X		
	61542422	CAP-EVAPORATOR SHELF	X	X	X	X
12	61580722	HINGE BUSHING-AT CENTER HINGE	X	X	X	X
13	61566530	HINGE BRACKET-BLACK/CENTER HINGE	BLK	BLK	BLK	BLK
	61566523	HINGE BRACKET-BROWN/CENTER HINGE (USE 61566530)	BRN	BRN		BRN
14	61566730	HINGE PIN SHAFT-BLACK/AT CENTER HINGE	BLK	BLK	BLK	BLK
	61566723	HINGE PIN SHAFT-BROWN/AT CENTER HINGE (USE 61566730)	BRN	BRN		BRN
15	61629722	LAMP BRACKET ASSY	X	X	X	X
16	61628922	LAMP-GE #214-2/DC LIGHT BULB	X	X	X	X
17	61627922	COVER-LAMP (USE 621827)	X	X	X	X
18	61564122	CRISPER COVER-GLASS SHELF	X	X	X	X
19	61571360	CRISPER-GRAY/SILVER BORDER (USE 61571325)	X	X	X	X
	617758	CRISPER-WHITE/BLUE TRIM (USE 61571325)	X	X	X	X
20	61580930	HINGE BRACKET-LH TOP/RH BTM/BLACK	BLK	BLK	BLK	BLK
	61580937	HINGE BRACKET-BROWN/LH TOP/RH BTM (USE 61580930)	BRN	BRN		BRN
21	61646722	SHELF-WIRE/WITH CUT OUT (USE 618055)	X	X	X	X
	618055	SHELF-WIRE/CUT OUT	X	X	X	X
22	61680922	TRAY-SHELF/GRAY/CUT OUT (USE 617756)	X	X	X	X
	617756	TRAY-SHELF/WHITE/CUT OUT	X	X	X	X
23	61622130	FRONT COVER-BLACK/REPLACEABLE BOTTOM TRIM	BLK	BLK	BLK	BLK
	61622123	FRONT COVER-BROWN/REPLACEABLE BOTTOM TRIM (USE 61622130)	BRN	BRN		BRN
24	61563822	SHELF-WIRE/MIDDLE (USE 618052)	X	X	X	X
	618052	SHELF-WIRE/MIDDLE	X	X	X	X
25	61563722	SHELF-WIRE/TOP WITH LH RISER (USE 618651)	X	X	X	X
	617726	SHELF-WIRE/TOP WITH RH RISER (USE 618651)	X	X	X	X
	618062	SHELF-WIRE/TOP/RH RISER (USE 618651)	X	X	X	X
NS	618065	CAP-CLEAR/FOR FLIPPER SHELF (NOT SHOWN)	X	X	X	X
NS	61580222	RETAINER-WIRE SHELF (NOT SHOWN)	X	X	X	X
NS	61580322	RETAINER-GLASS SHELF	X	X	X	X
26	61572830	DRIP TRAY-INSIDE/WHITE	X	X	X	X
27	61581022	LIGHT SWITCH-BLACK	X	X	X	X
28	61525922	ROCKER SWITCH-BLACK/3 POSITION (SWITCH IN DIVIDER)	X	X	X	X
NS	617723	COVER-HUMIDITY SWITCH (NOT SHOWN)	X	X	X	X
29	61578522	DOOR LATCH	X	X	X	X
NS	61579730	CAP-SNAP ON/BLACK/INSTALLATION HOLES (NOT SHOWN)	BLK	BLK	BLK	BLK
NS	61579722	CAP-SNAP ON/BROWN/INSTALLATION HOLES (NOT SHOWN) (USE 61579730)	BRN	BRN		BRN
NS	61580630	HINGE PIN-BLACK/TOP/BOTTOM HINGE/FEMALE (NOT SHOWN)	BLK	BLK	BLK	BLK
NS	61580623	HINGE PIN-BROWN/TOP/BOTTOM HINGE/FEMALE (USE 61580630)	BRN	BRN		BRN



# CABINET ASSEMBLY - REAR VIEW - COOLING UNIT AREA - 600 SERIES

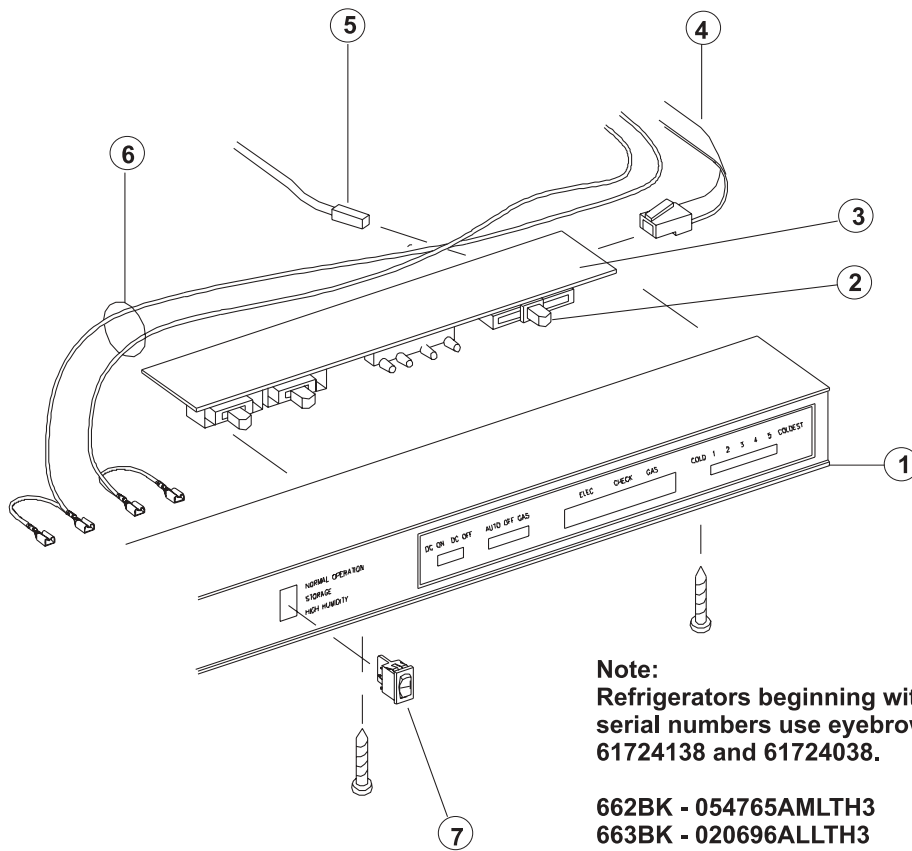


ART00497

## CABINET ASSEMBLY - REAR VIEW - COOLING UNIT AREA - 600 SERIES

NO.	PART #	DESCRIPTION	65	66	68	66IM	68IM
1	61687140	NSC SYSTEM PACK-COOLING UNIT/NA6	X				
	630871	NSC SYSTEM PACK-COOLING UNIT/NA8		X		X	
	630873	NSC SYSTEM PACK-COOLING UNIT/NA10			X		X
NS	61679337	BAFFLE DIFFUSER/WIRE ASSY (NOT SHOWN)(USE 61632010/61679022)	X				
NS	61679237	BAFFLE DIFFUSER/WIRE ASSY (NOT SHOWN)(USE 618111)		X	X	X	X
2	61536522	CLAMP-NYLON CABLE 1/2"	X	X	X	X	X
3	61509522	DRAIN HOSE (USE 622390)			X		X
	61591422	DRAIN HOSE-23" (USE 622390)		X		X	
NS	61505122	HOSE CLAMP (NOT SHOWN)		X	X	X	X
4	61710922	DRIP CUP-REAR/METAL (USE 622546)		X	X	X	X
	61530511	DRIP PAN-REAR/RECTANGULAR CANISTER (USE 622546)		X	X	X	X
5	61712637	COVER ASSY-BURNER BOX	X	X	X	X	X
6	61695322	BASE-BURNER BOX	X	X	X	X	X
7	61562522	HEATER-AC/200W/110V AC	X				
	61562722	HEATER-AC/300W/110V AC (USE 621702)		X	X	X	X
8	61562622	HEATER-DC/150W/14V DC	EG3				
	61562822	HEATER-DC/225W/14V DC		EG3	EG3	EG3	EG3
9	61695022	CAP-HEAT DEFLECTOR	X	X	X	X	X
10	61686823	FINS	X	X	X	X	X
11	61571522	CABLE-GRAY/ 80"/PC BOARD TO POWER SUPPLY BOARD	X	X	X	X	X
12	61621122	THERMISTER-66" (USE 61693822)	X	X	X		
	61693822	THERMISTER-66"	X	X	X	X	X
13	61718722	HUMIDITY SWITCH HARNESS ASSY		X	X	X	X

# EYEBROW ASSEMBLY - 600 SERIES

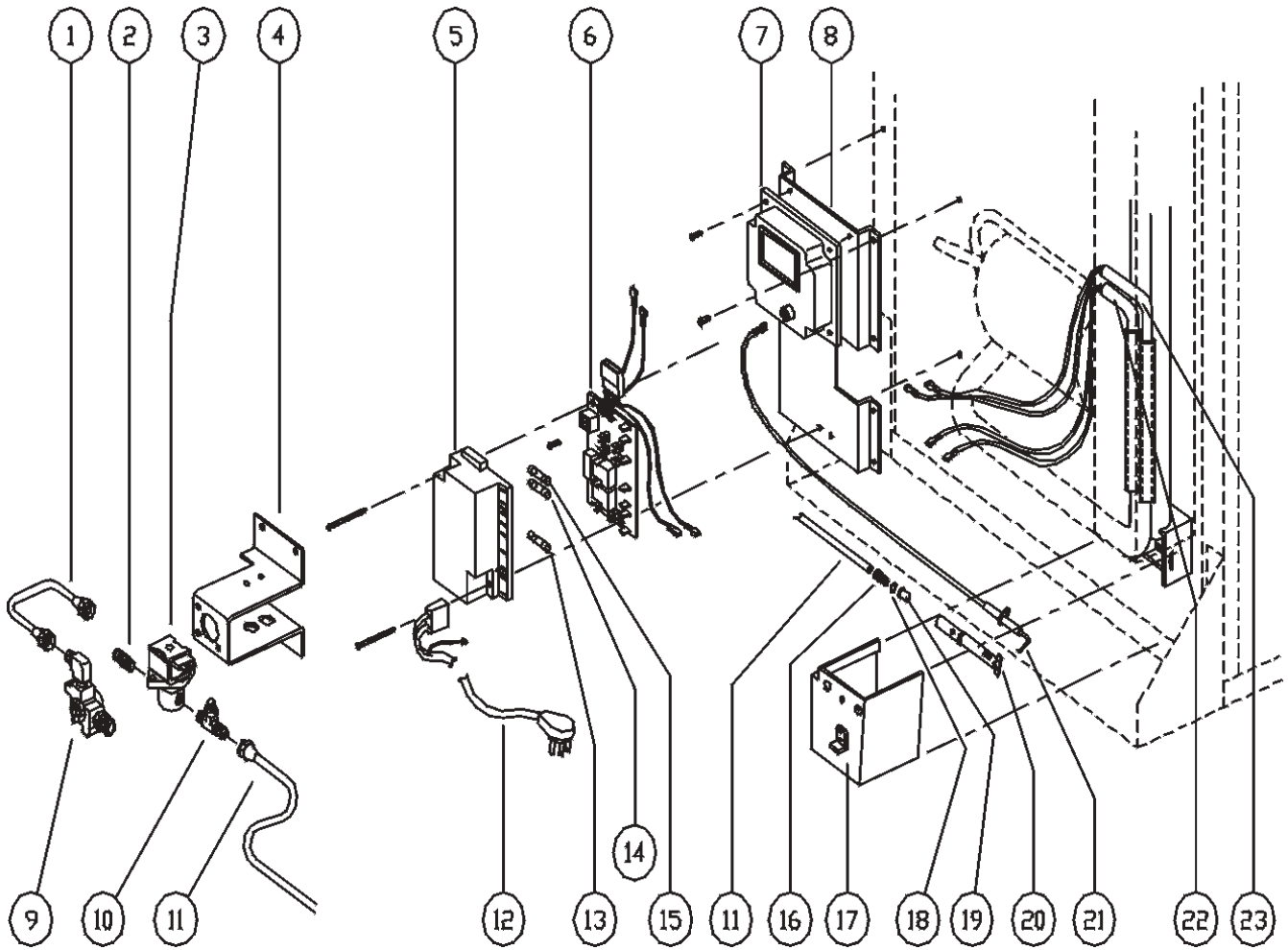


**Note:**  
Refrigerators beginning with the following serial numbers use eyebrow assemblies 61724138 and 61724038.

- 662BK - 054765AMLTH3
- 663BK - 020696ALLTH3
- 682BK - 037049AKLTH3
- 683BK - 016604AJLTH3

NO.	PART #	DESCRIPTION	65	66	68	66IM	68IM
	61660937	EYEBROW ASSY-EG2 (PRODUCT MADE PRIOR TO AUGUST 1993)	EG2	EG2	EG2	EG2	EG2
	61724138	EYEBROW ASSY-EG2 (PRODUCT MADE AFTER JULY 1993)		EG2	EG2	EG2	EG2
	61661037	EYEBROW ASSY-EG3 (PRODUCT MADE PRIOR TO AUGUST 1993)	EG3	EG3	EG3	EG3	EG3
	61724038	EYEBROW ASSY-EG3 (PRODUCT MADE AFTER JULY 1993)		EG3	EG3	EG3	EG3
1	61669822	EYEBROW SHELL-EG2 (PRODUCT MADE PRIOR TO AUGUST 1993)	EG2	EG2	EG2	EG2	EG2
	61726622	EYEBROW SHELL-EG2 (PRODUCT MADE AFTER JULY 1993)		EG2	EG2		
	61669922	EYEBROW SHELL-EG3 (PRODUCT MADE PRIOR TO AUGUST 1993)	EG3	EG3	EG3	EG3	EG3
	61726722	EYEBROW SHELL-EG3 (PRODUCT MADE AFTER JULY 1993)		EG3	EG3		
2	61587422	THERMOSTAT BUTTON	X	X	X	X	X
3	61647322	PC BOARD-EG2/AT EYEBROW ASSY	EG2	EG2	EG2	EG2	EG2
	61647522	PC BOARD-EG3/AT EYEBROW ASSY	EG3	EG3	EG3	EG3	EG3
4	61571522	CABLE-GRAY/ 80"/PC BOARD TO POWER SUPPLY BOARD	X	X	X	X	X
5	61621122	THERMISTER-66" (USE 61693822)	X	X	X		
	61693822	THERMISTER-66"	X	X	X	X	X
6	61718722	HUMIDITY SWITCH HARNESS ASSY		X	X	X	X
7	61525922	ROCKER SWITCH-BLACK/3 POSITION (WITH 61724038/61724138)		X	X	X	X

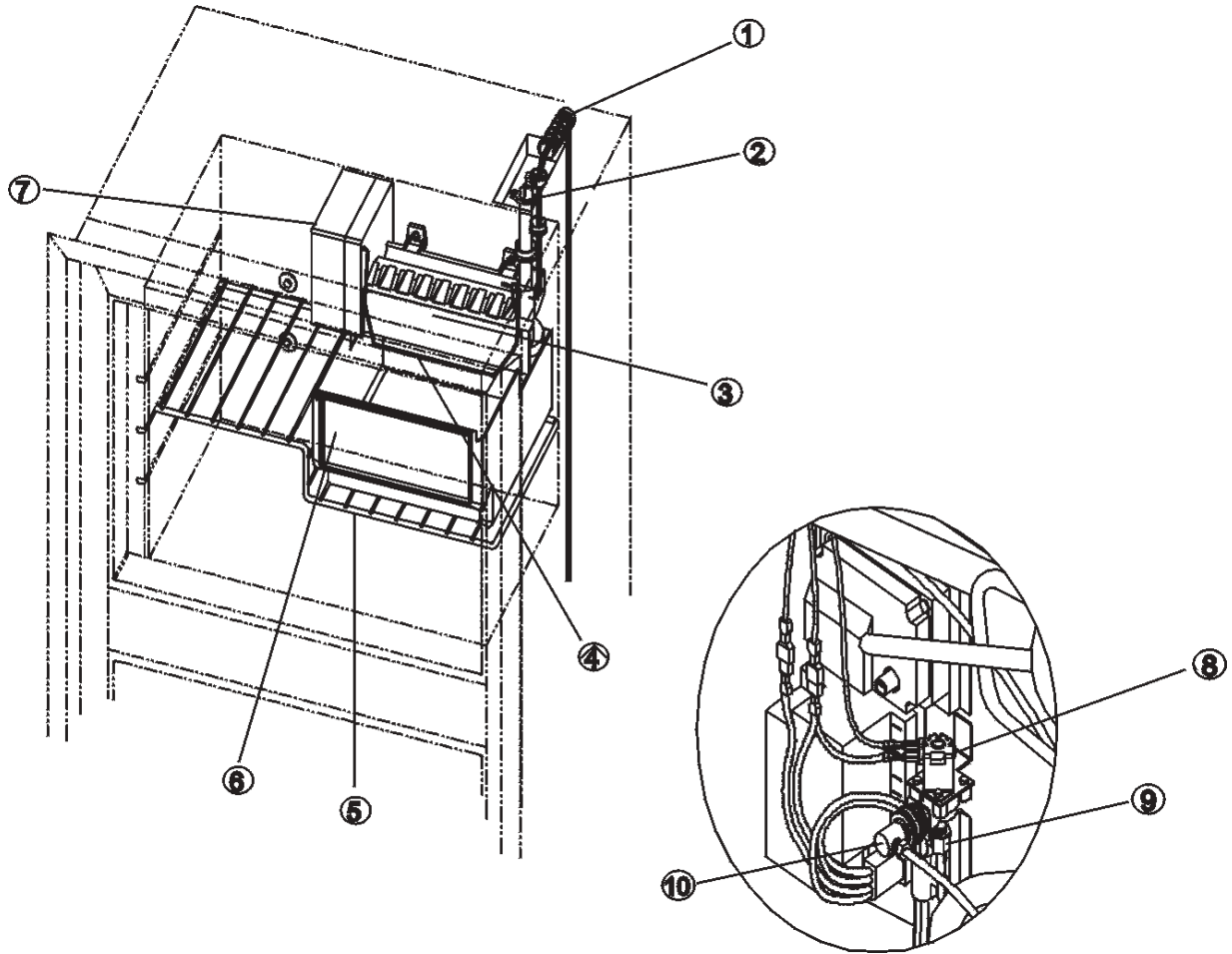
# CONTROL ASSEMBLY - 600 SERIES - SINGLE ELECTRODE SERIES



## CONTROL ASSEMBLY - 600 SERIES - SINGLE ELECTRODE SERIES

NO.	PART #	DESCRIPTION	65	66	68	66IM	68IM
	621446	KIT-GAS VALVE/BURNER TUBE/BURNER ASSY	X				
	621447	KIT-GAS VALVE/BURNER TUBE/BURNER ASSY		X	X	X	X
1	61694622	UNION TUBE	X	X	X	X	X
	61620922	UNION TUBE (EARLIER VERSION)	X	X	X	X	X
	61644522	UNION TUBE (EARLIER VERSION)	X	X	X		
2	61546822	CONNECTOR-MALE	X	X	X	X	X
3	61551822	GAS VALVE-ASCO (USE 621446/621447)	X	X	X	X	X
4	61694022	BRACKET-MOUNTING/GAS VALVE	X	X	X	X	X
5	61655622	COVER-POWER SUPPLY	X	X	X	X	X
6	618661	POWER SUPPLY BOARD-EG2	EG2	EG2	EG2	EG2	EG2
	618666	POWER SUPPLY BOARD-EG3	EG3	EG3	EG3	EG3	EG3
7	61717037	CONTROL MODULE ASSY-IGNITION/SINGLE ELECTRODE	X	X	X	X	X
8	61618922	BRACKET-CONTROL MOUNTING	X	X	X	X	X
9	61694922	MANUAL SHUT OFF VALVE ASSY-KINCO BALON (USE 621446/621447)	X	X	X	X	X
10	61594422	PRESSURE TAP	X	X	X	X	X
NS	61445322	PLUG-1/8"/FOR PRESSURE TAP (NOT SHOWN)	X	X	X	X	X
11	61695922	BURNER TUBE	X				
	61604722-A	BURNER TUBE-REVISION C/U TUBE		X	X	X	X
12	61554422	CORD-AC POWER/BLACK	X	X	X		
	618406	CORD-AC POWER/IM				X	X
13	61611622	FUSE-GLASS/5 AMP/110 VOLT	X	X	X	X	X
14	61446022	FUSE-GLASS/15 AMP/EG3	EG3				
	61440522	FUSE-GLASS/20 AMP		EG3	EG3	EG3	EG3
15	61538822	FUSE-GLASS/3 AMP (USE 61654622)	X	X	X	X	X
16	61448622	FITTING-FOR BURNER TUBE (USE 61692622 & 61692722)	X	X	X		
	61692722	FITTING-GAS TUBE CONNECTION	X	X	X	X	X
	61692622	SLEEVE-BALL/.25"/TUBE COMPRESSION RING/BRASS	X	X	X	X	X
17	61712637	COVER ASSY-BURNER BOX	X	X	X	X	X
18	61475122	ORIFICE GASKET	X	X	X	X	X
19	618866	ORIFICE-LP14	X				
	618865	ORIFICE-LP16		X	X	X	X
20	61705222	BURNER ASSY-5 SLOT (USE 621955/621957 (MODEL SPECIFIC))	X	X	X	X	X
21	61692222	ELECTRODE-SPARK/SENSE/SINGLE ELECTRODE/0.25"	X	X	X	X	X
22	61562522	HEATER-AC/200W/110VAC	X				
	61562722	HEATER-AC/300W/110VAC (USE 621702)		X	X	X	X
23	61562622	HEATER-DC/150W/14VDC	EG3				
	61562822	HEATER-DC/225W/14VDC		EG3	EG3	EG3	EG3

# ICE MAKER PARTS - 600 SERIES



NO.	PART #	DESCRIPTION	66IM	68IM
1	61676322	WIRING HARNESS-ICE MAKER (USE 618407)	X	X
	618407	WIRING HARNESS-IM	X	X
2	61660722	FITTING-WATER TUBE/IM (USE 620039/620659)	X	X
3	621266	ICE MAKER	X	X
4	61656922	SHUT OFF ARM/IM	X	X
5	61710522	SHELF-WIRE/FREEZER/ICE MAKER (USE N/A 618058)	X	X
	61667722	SHELF-WIRE/LONG/ICE MAKER (USE N/A 618058)	X	X
	61674122	SHELF-WIRE/SHORT/ICE MAKER (USE N/A 618058)	X	X
6	618464	BIN-ICE BIN/WHITE/RELOCATED IM	X	X
	61688322	BIN-ICE/ICE MAKER/GRAY (USE 617761)	X	X
	617761	BIN-ICE/ICE MAKER/WHITE	X	X
7	61656822	COVER-FRONT/ICE MAKER	X	X
8	61657022	WATER VALVE-ICE MAKER (USE 618253)	X	X
	618408	WATER VALVE-RELOCATED ICE MAKER (USE 618253)	X	X
9	61678722	NUT-COMPRESSION/WATER VALVE FITTING/IM (USE 622991)	X	X
10	618071	GARDEN HOSE ADAPTER-90 DEGREE/IM (USE 61679622)	X	X
	61679622	GARDEN HOSE ADAPTER-STRAIGHT/IM	X	X