



PARTS LIST

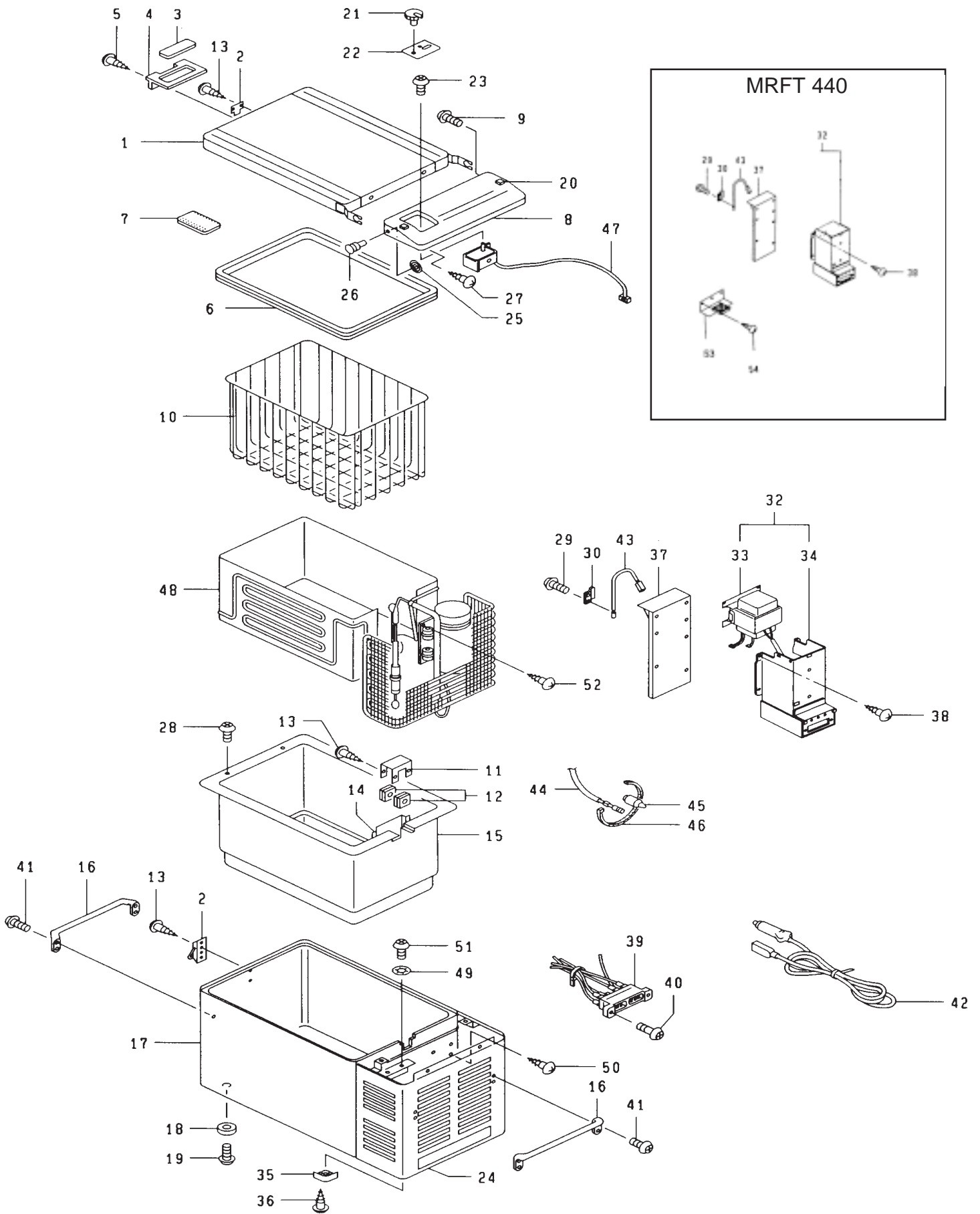
MODELS

MRFT 330D

MRFT 340D

Revision A
Part No. 619724
Norcold 1/99

Final Assembly



Final Assembly

Index No.	Part No.	Description	MRFT 330D	MRFT 340D
1	160026200	Door Assembly (Gray Door Case)	*	*
2	626000500	Latch Assembly	*	*
3	545007702	Mark (Norcold) (Black) (With Gray Cabinet)	*	*
4	422500401	Door Handle (Without Norcold Mark)	*	*
5	8081044121	Screw (Tapping)	*	*
6	414801600	Door Gasket (Gray Door Assembly)	*	*
7	546029500	Caution Plate	*	*
8	160209200	Cover Assembly (Gray) (w/Removable Case Cover Assy)	*	*
9	5008040104	Screw	*	*
10	523000301	Basket	*	
10	523000800	Basket		*
11	433000900	Cover (Pipe)	*	*
12	416006300	Bushing (For PipeCover)	*	*
13	8085034122	Screw (Tapping)	*	*
14	421100900	Blind Cover	*	*
15	43200470	Inner Case (Cabinet)	*	
15	433201140	Inner Case (Cabinet)		*
16	323300550	Handle (Gray Cabinet)	*	*
17	160025500	Cabinet		*
17	160025600	Cabinet	*	
18	412013900	Cushion (Rubber Leg)	*	*
19	8001060081	Screw	*	*
20	641200000	Cushion (Cover Assembly)	*	*
21	1602067000	Thermostat Knob	*	*
22	545026105	Mark Thermostat	*	*
23	8081044121	Screw (Tapping)	*	*
24	160922100	Case Cover Assembly (Gray) (Removable/Lower)		*
24	160922200	Case Cover Assembly (Gray) (Removable/Lower)	*	
25	360003900	Speed Nut	NA	NA
26	502200500	Hinge Pin (Cover Assembly)	NA	NA
27	8083043102	Tapping Screw	*	*
28	645104100	Fastner (Plastic Rivet)	*	*
29	8080043082	Screw	*	*

Final Assembly

Index No.	Part No.	Description	MRFT 330D	MRFT 340D
30	422305000	Holder (Thermister) (At Evaporator)	*	*
32	160107900	Power Supply (No Plate Assembly)	*	*
32	160113800	Oscillator		
33	196013100	Transformer Assembly	*	*
34	163008100	Oscillator Only	*	*
35	427400900	Cushion (Exterior Corner)	*	*
36	500803300	Screw (Tapping)	*	*
37	163207500	Plate Assembly	*	*
37	322364500	Plate Assembly		
38	8084043081	Screw (Truss Tapping) (4X8)	*	*
39	163205502	Terminal Block	*	*
40	8085034101	Screw (Tapping)	*	*
41	8340040001	Washer (Teeth Lock)	*	*
NS	191213340	AC Cord Assembly	*	*
42	191222300	DC Cord Assembly	*	*
43	605503200	Thermister (Evaporator)	*	*
43	605505410	Thermister (Evaporator)		
44	605503301	Thermister (Wire Condenser)	*	*
45	410110200	Cap (Thermister)	*	*
46	645105900	Fastener	*	*
47	160107250	Thermostat	*	*
47	160114400	Thermostat		
48	16100710	Cooling Unit (HFC 134A)	*	*
48	161007720	Cooling Unit (50 HZ HFC 134A)		
49	8085044121	Screw (Tapping)	*	*
50	8083043121	Screw (Tapping)	*	*
51	8000040121	Screw	*	*
52	8050040104	Screw	*	*
53		Fan Assembly	*	*
53	160924950	Fan Assembly		
54	8083044121	Screw		