

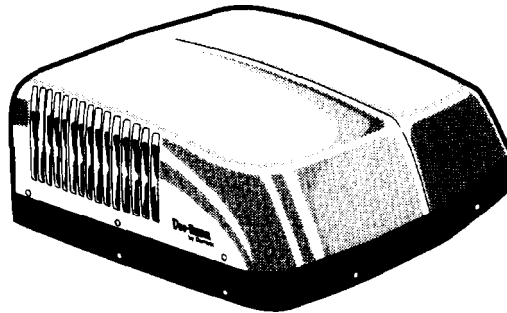
DUO-THERM[®]

by Dometic

WHEN ORDERING SPARE PARTS, ALWAYS STATE:
MODEL - QUANTITY - PARTNUMBER - DESCRIPTION

BRISKAIR[™] Roof-Top Air Conditioner

PRE-WIRED FOR OPTIONAL HEAT PACKAGE



Includes B & C Model Suffix

USA
SERVICE OFFICE
The Dometic Corp.
509 So. Poplar St.
LaGrange, IN46761

CANADA
Dometic Dist.
866 Langs Dr.
Cambridge, Ontario
CANADA N3H 2N7

PARTS LIST

MODEL

57915.603

Includes Suffix B & C
Prod. No. 991731243

57915.613

Product No. 991731244

NOTES:

ALPHABETICAL INDEX

	Page	Index #
Capillary tube	5	18
Capacitor		
Run/Fan	6	63
Start	6	64
Coil		
Condenser	5	10
Evaporator	5	16
Compressor	5	11
Decal, shroud	5	3
Drier..	5	19
Filter, air	6	002
Grill	6	001
Heateraccessory kit	6	1-8
Motor	5	26
PTCR device	6	65
Shroud	5	4
Thermostat	6	61
Wheel, Blower	5	38
Wiring Diagram	3	-

SPECIFICATIONS

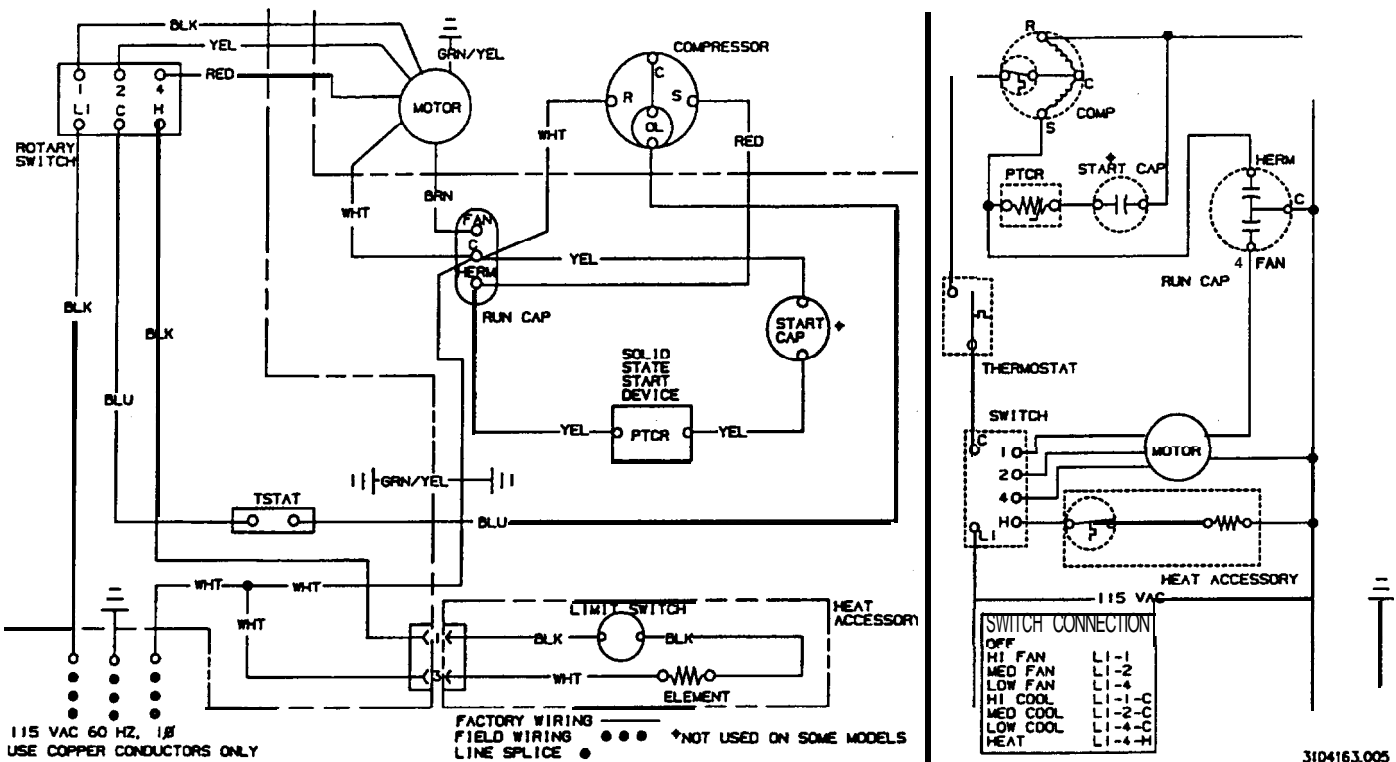
MODEL NO.	57915.603 & 57915.613	
Nominal Capacity (BTU/HR)	13,500	
Electrical Rating	115VAC, 60Hz., 1 ph.	
Compressor Rated Load Amps	11.0	
Fan Motor Rated Load Amps	2.5	
Compressor Locked Rotor Amps	54.4	
Fan Motor Locked Rotor Amps	5.8	
Heater Amps/Watts 120 VAC	12.7/11530	
Input Kilowatts, Cooling (kw)	1.6	
Input Kilowatts, Heating	1.8	
Refrigerant (R22) Oz.	16.0	
Minimum Wire Size ***	12 AWG Copper Up to 24 ft.	
Circuit Protection	20 Amp Time Delay Fuse or HACR Circuit Breaker	
Installed Weight (Pounds)	95	
Roof Thickness, Min./Max. •	1" TO 6"	
Minimum Generator	1 Unit	3.5 KW
Size • *	2 Units	5.0 KW
Blower Operation	Runs continuously	
Compressor	Cycles as cooling is required	

• ** For distances over 24 ft. consult the National Electrical Code

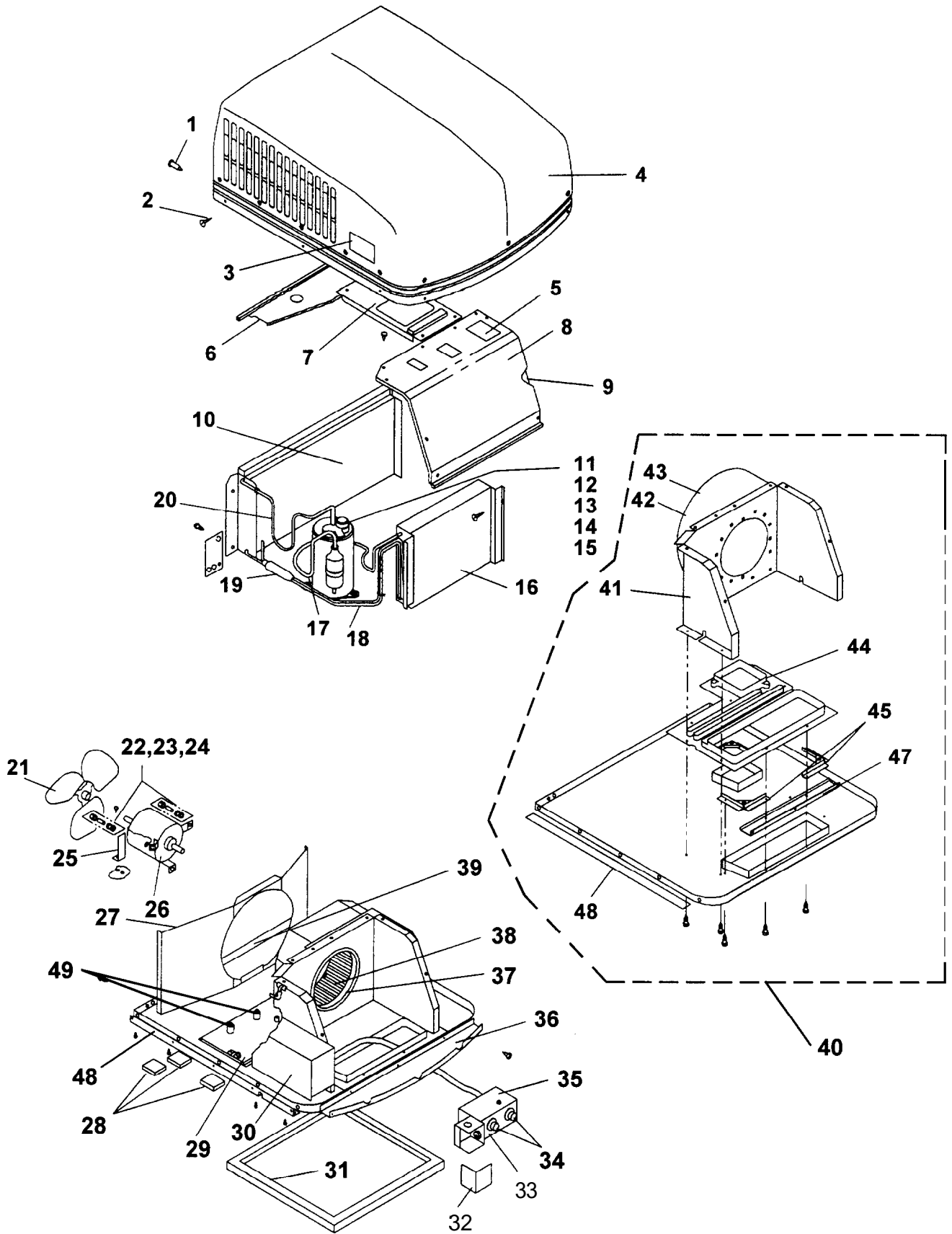
• ** The Dometic Corporation gives GENERAL guidelines for generator requirements. These guidelines come from experiences people have had in actual applications. When sizing the generator, the total power usage of your recreational vehicle must be considered. Also keep in mind generators lose power at high altitudes and from lack of maintenance.

• The standard mounting bolts supplied are designed for roofs 1.0" to 4.0" thick. For roofs 4.0" to 6.0", order Bolt Kit 3100895.006 and Duct Kit 313606.000 DO NOT use bolts longer than necessary or the air conditioner may be damaged.

WIRING DIAGRAM



MODEL 57912.602,57915.602 & 57915.612 ROOF MOUNTED ASSEMBLY



MODEL 57915.603 & 57915.613 ROOF MOUNTED ASSEMBLY

Index #	Description	57915.603	57915.613
1	Screw, shoulder (2 req.)	3102834.003	3102834.003
2	Screw, shroud (12 req.)	313685.001	313685.001
3	Decal, shroud	See NOTE 1	See NOTE 1
4	Shroud	See NOTE 2	See NOTE 2
5	Decal, field wiring	3104163.005	3104163.005
6	Cover, condenser	309383.000	309383.000
7	Bulkhead brace	3100357.023	3100357.023
8	Evap. insulation	317797.001	317797.001
9	Evap. coil cover	314885.001	314885.001
10	Coil, condenser	3100817.026	3100817.026
11	Compressor Asm. /Tecumseh RK5513H	3104465.004	3104465.004
12	Overload	3100250.277	3100250.277
13	Cover, terminal	3103799.007	3103799.007
14	Gasket cover	3103800.003	3103800.003
15	Nut, flange	306342.004	306342.004
16	Coil, evaporator	3100818.008	3100818.008
17	Line, suction	3104236.009	3104236.009
18	Tube, capillary (2 req.)	3104464.007	3104464.007
19	Filter-drier	3103882.001	3103882.001
20	Line, discharge	3103825.000	3103825.000
21	Blade, fan (plastic)	317937.000	317937.000
22	Grommet, motor (4 req.)	3100230.022	3100230.022
23	Spacer, motor mount (4 req.)	308046.000	308046.000
24	Nut, flange motor (4 req.)	306342.003	306342.003
25	Support, motor	3108700.067	3108700.067
26	Motor, fan	3108700.448	3108700.448
27	Bulkhead, condenser	317923.001	317923.001
28	Foam blocks (7 req.)	3100587.009	3100587.009
29	Plate, compressor mtg.	3103149.005	3103149.005
30	Cover, elec. box	3100828.007	3100828.007
31	Gasket, 14" x 14"	3100247.000	3100247.000
32	Cover, junction box	313650.000	313650.000
33	Cover, control box	308146.000	308146.000
34	Knobs (2 req.)	3100364.011	3100364.011
35	Control box	3101610.008	3101610.008
36	Channel, front	3102811.001	3102811.001
37	Blower inlet ring	309304.000	309304.000
38	Blower wheel	317958.000	317958.000
39	Support, condenser coil	Not Used	Not Used
40	Base pan	See NOTE 3	See NOTE 3
41	Bulkhead, evaporator	3100831.068	3100831.068
42	Housing, blower	3101145.005	3101145.005
43	Insulation (3 piece set)	3104152.008	3104152.008
44	Pan, drain	See NOTE 3	See NOTE 3
45	Bracket, mounting (3 req.)	See NOTE 3	See NOTE 3
46	Nut with clip	3100280.019	3100280.019
47	Brace, front	See NOTE 3	3103930.008
48	Bracket, base pan side (2 req.)	Not Used	3103930.008
49	Sleeve, compressor Mtg. (3 req.)	3100239.122	3100239.122

NOTE 1:

Shroud Decal (2 required): Part No. 3101380.008. NOT used on Models with suffix B or C suffix

NOTE 2: Shroud Part Numbers:

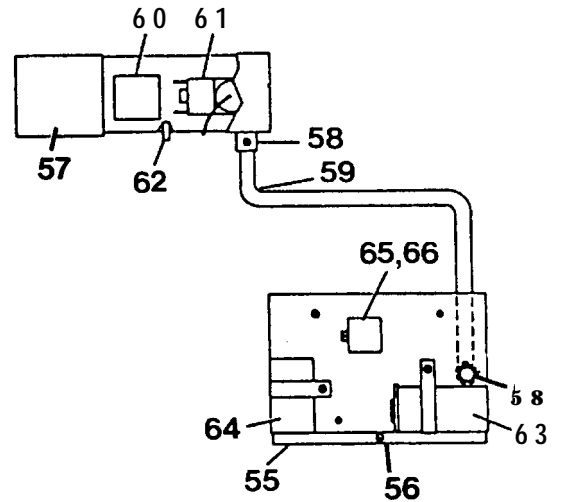
No Suffix letter:	Shell White	3103144.006
With suffix letter:	B Gray	3103146.001
	C PolarWhite	3103147.009

NOTE 3:

Order Base Kit Part No. 3108700.323
 Not available as individual part. Kit includes Items#40,41,42,43,44,45,46,47,48

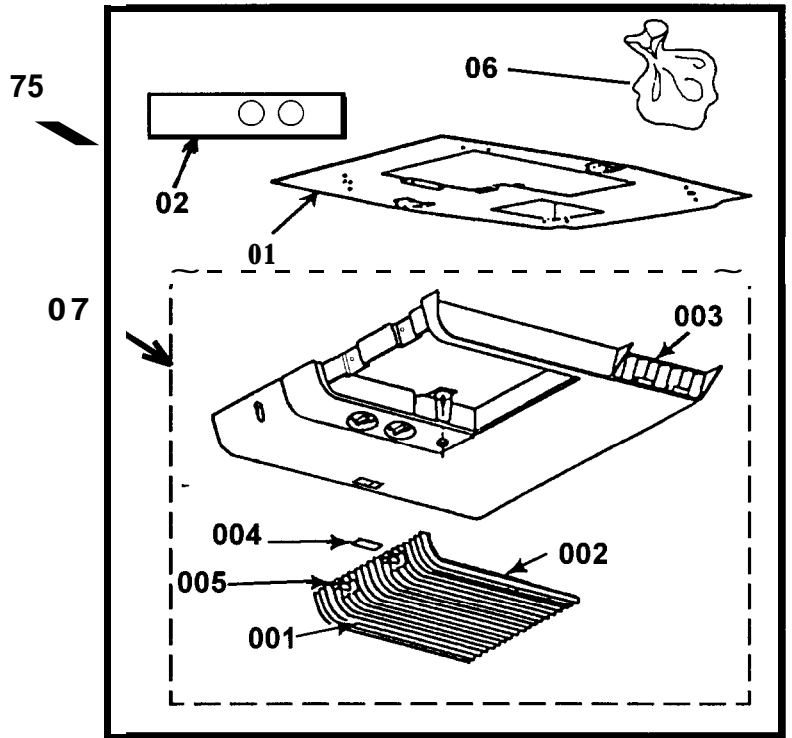
■ ELECTRICAL BOX ASSEMBLY

Index#	Description	57915.603	57915.613
55	Box, electric	3100827.058	3100827.058
56	Cover, electric box	3100828.007	3100828.007
57	Cover, control box	308146.000	308146.000
58	Strain relief, 2 req.	302994.012	302994.012
59	Sleeving, wire	318087.006	318087.006
60	Switch, selector	20250.000	20250.000
61	Thermostat	3100781.008	3100781.008
62	Plug female	314471.000	314471.000
63	Capacitor, run/fan	3100248.420	3100248.420
64	Capacitor, start	3100236.219	3100236.219
65	Relay, start/PTCRdevice	3100876.006	3100876.006
66	Bracket, mtg., PTCRdevice	3100877.004	3100877.004



■ AIR BOX COMPONENTS

Index #	Description	Part #
75	Air box, complete	3104085.000
01	Ceiling template	315427.001
02	Decal, air box	3104083.005
03	Duct adapter-upper (not shown)	316450.001
04	Duct adapter-lower (not shown)	313605.000
05	Bolt kit 6" roof (4 req.) (not shown)	3100895.006
06	Bag, asm. parts	3101148.009
07	Air box, less decals	3104234.004
001	Door, return air	3104071.000
002	Filter, return air	308166.000
003	Louver assembly (2 req.)	310138.000
004	Cover plate	316659.000
005	Push/pull catch (set of 2)	3108700.307



CUSTOMER OPTION- NOT REQUIRED

■ HEATER ACCESSORY KIT 3101121.014

Index #	Description	Part #
1	Heat element	3101124.000
2	Limit switch	3101123.002
3	Sleeving	3100394.083
4	Plug, male	314470.000
6	Guard, heat	3101143.000
7	Electric box	3101125.007
8	Strain relief	302994.012

