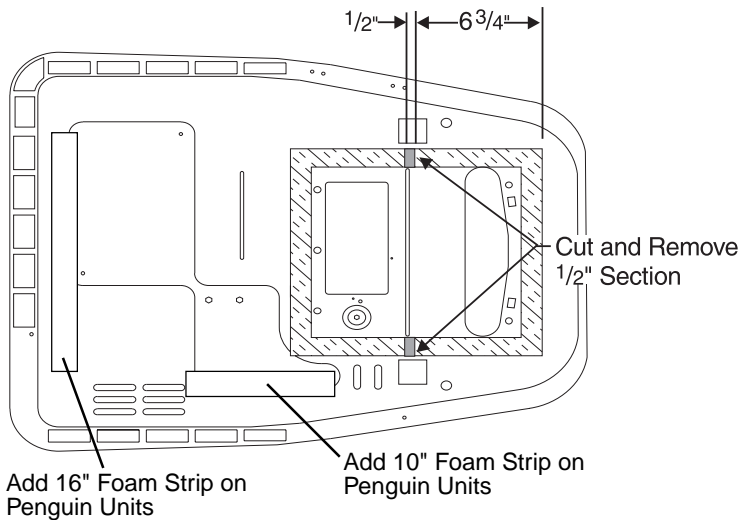


INSTALLATION INSTRUCTIONS

AUXILIARY DRAIN PAN

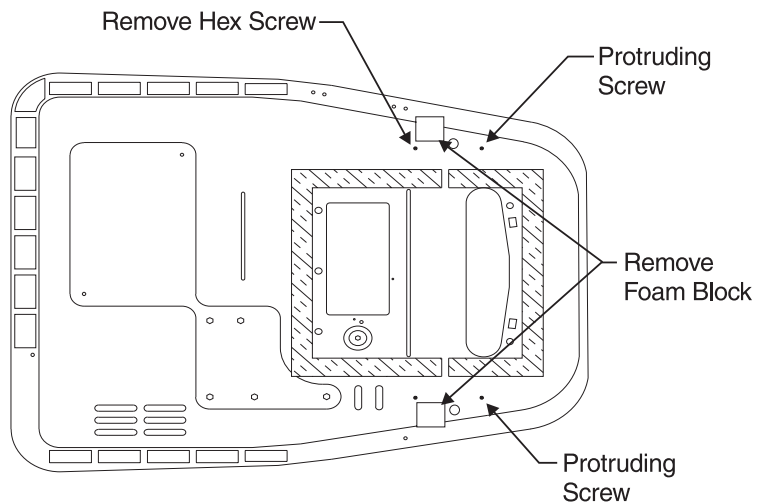
1. Remove Air Conditioner from box and place upside-down on its top. Be careful not to slide unit on top to avoid damage to shroud.
2. Measure up from front edge of roof gasket $6\frac{3}{4}$ " and cut out, down to unit base pan, a $\frac{1}{2}$ " section of the roof gasket on each side.



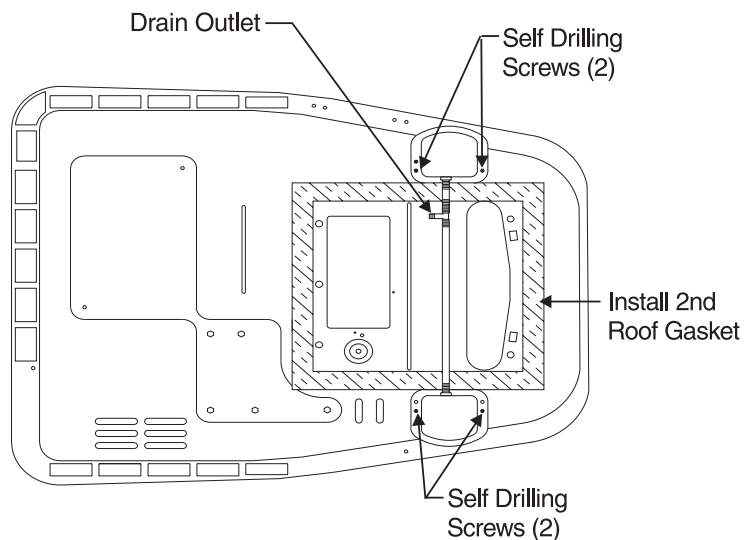
3. On Penguin style units ONLY
 - a. Remove 2" square foam blocks next to drain openings.
 - b. Remove one 5/16" Hex head screw on left side of base pan near drain opening.
4. Add foam strips
 - a. To Penguin style units as shown above.
 - b. On BriskAir and Quick Cool units place strips one on top of other and place at bottom back edge of base pan.
5. Place assembly down over drain holes.
 - a. Seal below and above each drain tube, where it goes through the roof gasket, with a good all weather sealant.
 - b. Place assembly in direction with the inside drain on either the right or left side of 14" opening which ever is best for your application.
 - c. The straight edge of drain pan goes tight to roof gasket.
 - d. Holes in drain pan fit over the screw protruding from bottom of unit base pan toward front of unit.

NOTE: Do Not seal edges of drain pan to base pan with sealant. When left unsealed this will act as secondary drain in event primary drain becomes clogged.

Penguin Style units Only



6. Install self drilling screw through drain pans and into base pan to hold drain pans to base pan. Use two (2) screws per pan.



7. Install new roof gasket on top of current roof gasket on unit.
8. Turn unit back over and install in the normal manner per unit installation instructions.
9. Connect 1/2" inside diameter hose to drain pan connection and run out of 14" opening and down the RV wall.

NOTE: For best draining, keep 1/2" I.D. hose flat, DO NOT allow it to hump up.