

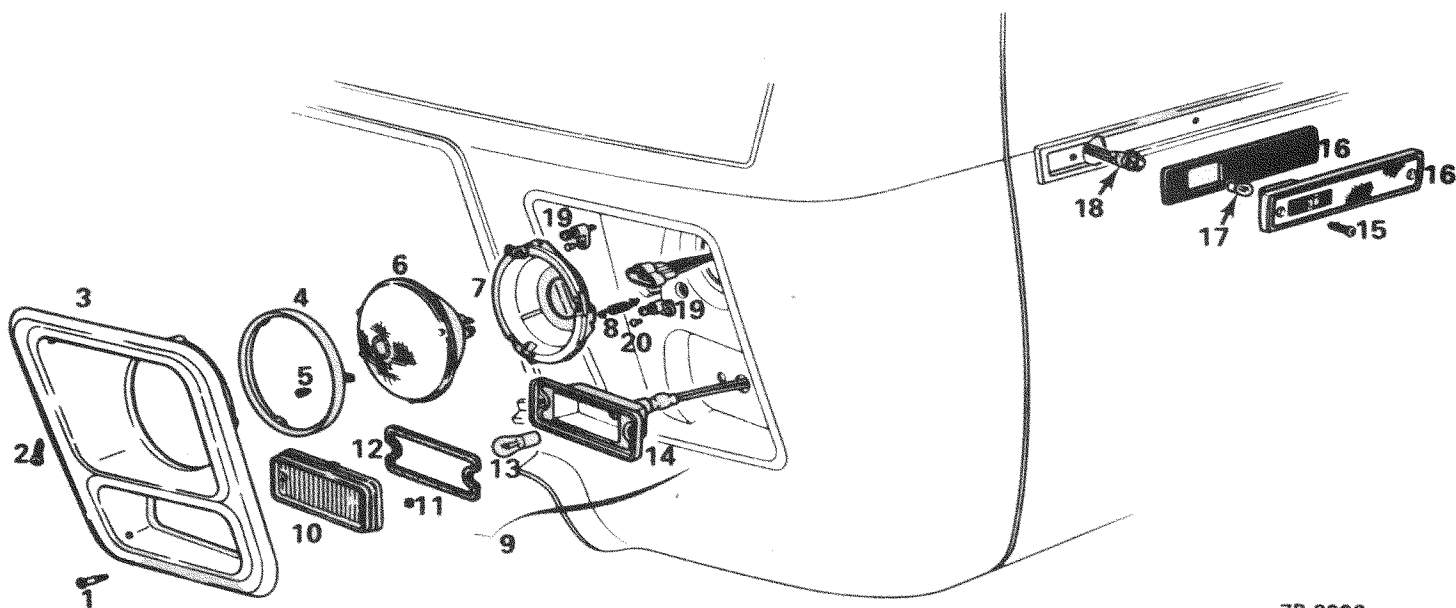
ELECTRICAL

LIST OF SUB GROUPS

Name	Group No.
ANTENNA — RADIO	7.037
BREAKERS — CIRCUIT	7.078
CLUSTER ASSEMBLY — INSTRUMENT	7.042
COIL — IGNITION	7.038
CONNECTORS — WIRING	7.091
CRUISE CONTROL — SPEED	7.074
DISTRIBUTOR ASSEMBLY	7.031
ELECTRICAL, CLOCKS, SWITCHES	7.078H
GENERATOR — 80 AMP DELCOTRON	7.028A
GENERATOR — 145 AMP DELCOTRON	7.028H
HORN — ELECTRIC	7.076
LAMP — HEAD, PARK, DIRECTIONAL SIGNAL AND FRONT SIDE MARKER	7.001
LAMP — STOP, TAIL, BACK-UP, REAR SIDE MARKER AND LICENSE PLATE	7.003
LAMP — ENGINE COMPARTMENT	7.004
LAMP — MARKER	7.013
LAMP — DOME AND SPEAKER	7.020
LAMP — INSTRUMENTS AND TELL TALE	7.045
MOTOR — STARTING	7.025
MOUNTING — BATTERY	7.085
MOUNTING — GENERATOR	7.029
RADIO — AM/FM MONO W/FOUR SPEAKERS	7.036
RADIO — AM/FM W/FOUR SPEAKERS	7.032
RADIO — AM/FM W/SIX SPEAKERS	7.032H
RADIO — AM/FM W/STEREO TAPE PLAYER W/FOUR SPEAKERS	7.033
RADIO — AM/FM W/STEREO TAPE PLAYER, W/SIX SPEAKERS	7.033H
RADIO — AM/STEREO TAPE PLAYER W/FOUR SPEAKERS	7.035
RADIO — AM W/FOUR SPEAKERS	7.034
RELAYS	7.080
SENDING UNIT — HOLDING TANK	7.050
SOLENOID — STARTING MOTOR	7.026
SPEEDOMETER AND DRIVE	7.043
SWITCH — DIRECTIONAL LAMP	7.072
SWITCHES — MISCELLANEOUS	7.070
WIRING — (INCL. WIRING KIT ELE. RECEPTACLE)	7.090

ELECTRICAL

NOTES



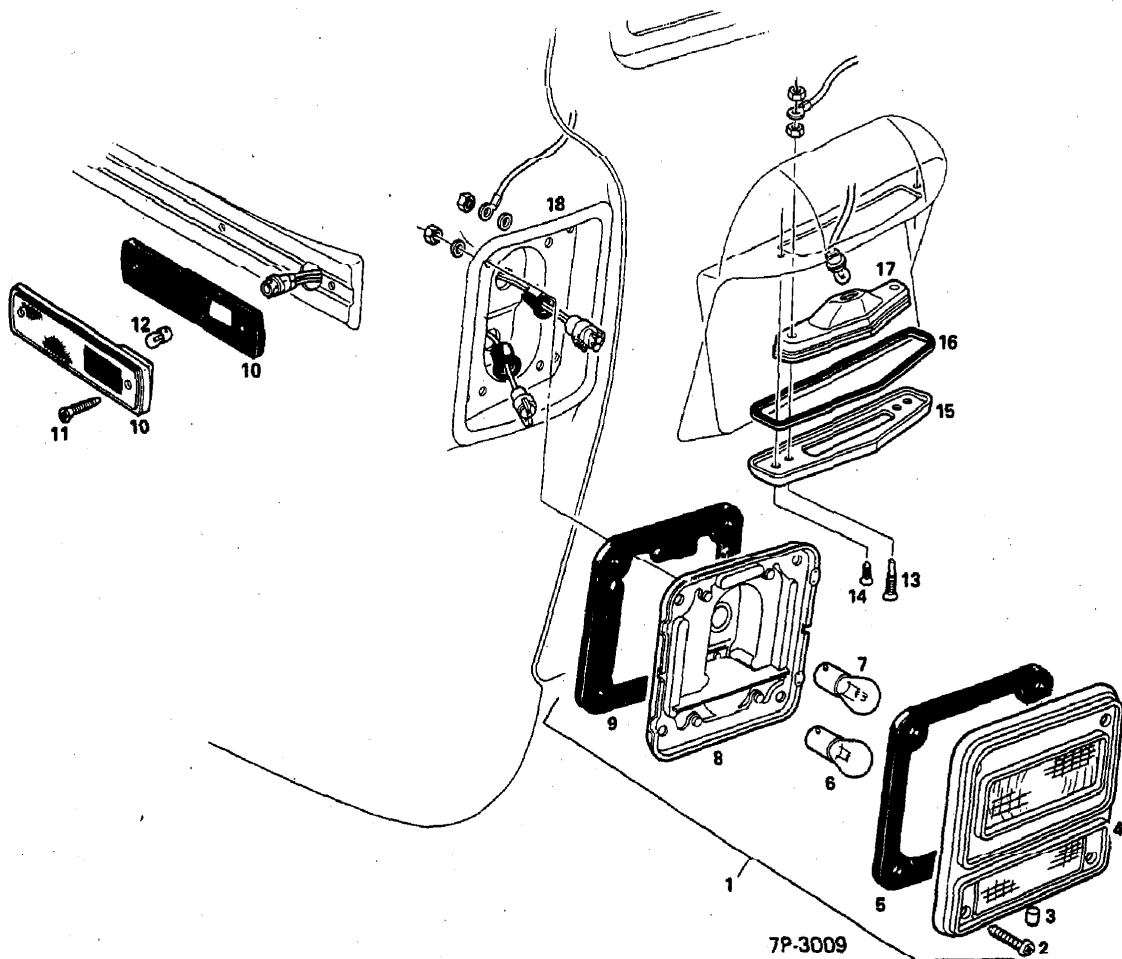
7P-2006

KEY 230 260 PART NUMBER

7.001 LAMP — HEAD, PARK, DIRECTIONAL SIGNAL AND FRONT SIDE MARKER

1	4	4	5959089	SCREW—direction signal and parking lamp (No. 8-32 x 1-5/64 pan head cross rec.)
2	8	8	—	SCREW—headlamp bezel (No. 8-18 x 1-1/4 oval head cross rec.) (procure locally)
3	1	1	696186	BEZEL—headlamp RH
3	1	1	696187	BEZEL—headlamp LH
4	2	2	5952000	RING—retaining, headlamp sealed beam (repl. 5961888)
5	6	6	5947955	SCREW—sealed beam retaining ring (No. 8-32 x 3/32 round head cross rec.) (repl. 5959530)
6	2	2	5962548	BEAM ASSY.—sealed, headlamp
7	1	1	5961886	RING—mounting, sealed beam RH
7	1	1	5961887	RING—mounting, sealed beam LH
8	2	2	496096	SPRING—retaining, headlamp (repl. 480773)
9	2	2	916558	LAMP ASSY.—directional signal and parking
10	2	2	5959160	LENS—directional signal and parking lamp
11	2	2	5951990	WICK—drain, directional signal and parking lamp
12	2	2	5959131	GASKET—lens, directional signal and parking lamp
13	2	2	9428902	BULB—directional signal and parking (12-16V, 32CP)
14	2	2	NS	HOUSING—directional signal and parking lamp (not serviced)
15	4	4	—	SCREW—front side marker lamp (No. 6-32 x 1 pan head cross rec.) (procure locally) (prior to Serial No. 6V100878)
15	4	4	—	SCREW—front side marker lamp (No. 6-20 x 5/8 pan head cross rec.) (procure locally)(eff. w/Serial No. 6V100878)
16	2	2	695499	LAMP ASSY.—front marker side (SOA)
17	2	2	9421330	BULB—front side marker lamp (12-16V, 2CP)
18	1	1	6298886	WIRE ASSY.—front side marker lamp (incl. socket) (SOA)
19	4	4	5964500	BRACKET—headlamp
20	8	8	683102	RIVET—headlamp bracket
—	4	4	NPN	NUT—jack, front side marker lamp (ref. 701165) (procure locally)
—	AR	AR	9798363	GROMMET—fwd. lamp wrng. harness to dash panel (1.00 I.D. x 1.46 O.D.)

ELECTRICAL



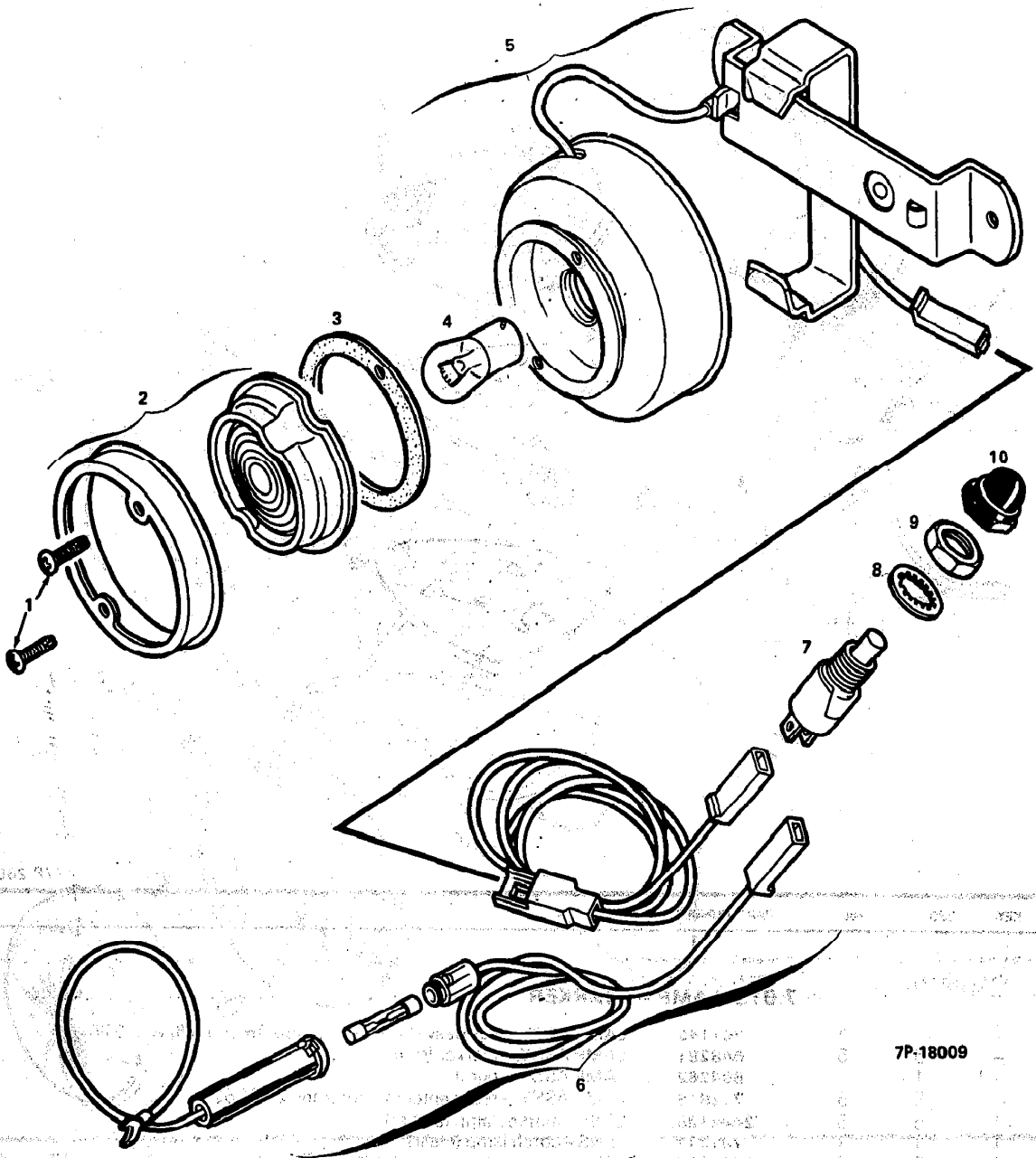
7P-3009

KEY	230	280	PART NUMBER
-----	-----	-----	-------------

7.003 LAMP — STOP, TAIL, BACK-UP, REAR SIDE MARKER AND LICENSE PLATE

1	2	2	911255	LAMP ASSY.—stop, tail and back-up
2	8	8	5959383	SCREW—mounting, stop, tail, back-up lamp (# 8-32-UNC-2A-thd.)
3	2	2	—	WICK—drain, stop, tail, back-up lamp (procure locally)
4	2	2	5962558	LENS ASSY.—stop, tail, back-up lamp (SOA)
5	2	2	5962563	GASKET—lens, stop, tail, back-up lamp
6	2	2	—	BULB—back-up lamp 12-16V, 32CP (procure locally)
7	2	2	—	BULB—stop and tail lamp 12-16V, 32-3CP (procure locally)
8	2	2	NS	HOUSING—stop, tail and back-up lamp
9	2	2	5962564	GASKET—mounting, stop, tail and back-up lamp
10	2	2	695498	LAMP ASSY.—marker, rear (SOA)
11	8	8	—	SCREW—rear marker lamp No. 6-32 x 1 pan hd. cross rec. (procure locally) (prior to Serial No. 6V100878)
11	8	8	—	SCREW—rear marker lamp (No. 6-20 x 5/8 pan hd. cross rec.) (procure locally) (eff. w/Serial No. 6V100878)
12	2	2	9421330	BULB—rear marker lamp 12-16V, 2CP
13	2	2	157166	SCREW—license plate lamp No. 10-32 x 3/4 ov. hd. cross rec.
14	2	2	—	SCREW—license plate lamp No. 10-32 x 1 1/2 ov. hd. cross rec. (procure locally)
15	1	1	696144	BRACKET—license plate lamp
16	1	1	696145	SEAL—license plate lamp
17	1	1	913060	LAMP ASSY.—rear license plate (SOA) (repl. 899290)
18	1	1	3970773	BEZEL—LH, stop lamp
18	1	1	3970774	BEZEL—RH, stop lamp
—	1	1	3699368	SLEEVE—license plate lamp
—	1	1	3863558	WASHER—spring, license plate lamp anti-rattle

ELECTRICAL



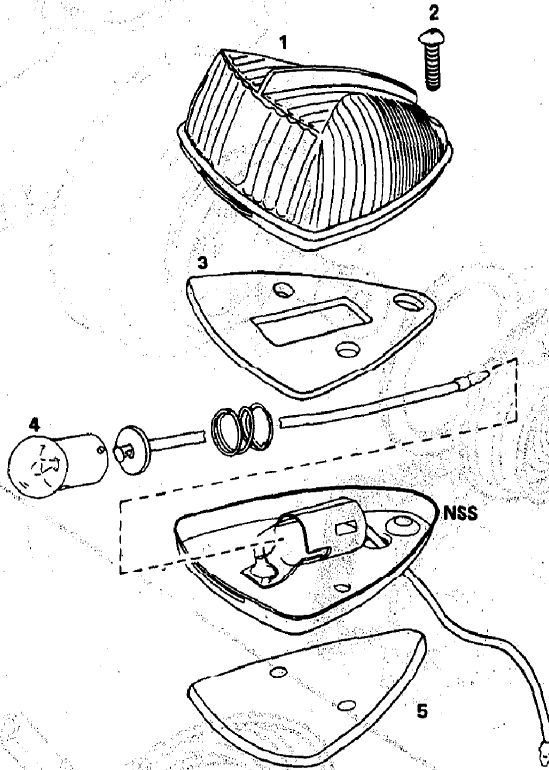
7P-18009

KEY 230 280 PART NUMBER

7.004 LAMP — ENGINE COMPARTMENT

—	1	1	705450	LAMP ASSY.—engine compartment
1	1	1	—	SCREW—lens (No. 10-16 x 1/2 pan head) (procure locally)
2	1	1	708351	LENS ASSY.—lamp (SOA)
3	1	1	708352	GASKET—lamp lens
4	1	1	—	BULB—lamp (procure locally)
5	1	1	NS	HOUSING AND BRACKET ASSY.—lamp
6	1	1	—	WIRE ASSY.—engine compartment (see group 7.090)
7	1	1	704885	SWITCH ASSY.—door
8	1	1	—	LOCKWASHER—door switch (1/2 internal-tooth) (procure locally)
9	1	1	—	NUT—door switch (part of door switch) (procure locally)
10	1	1	683653	SEAL—door switch

ELECTRICAL



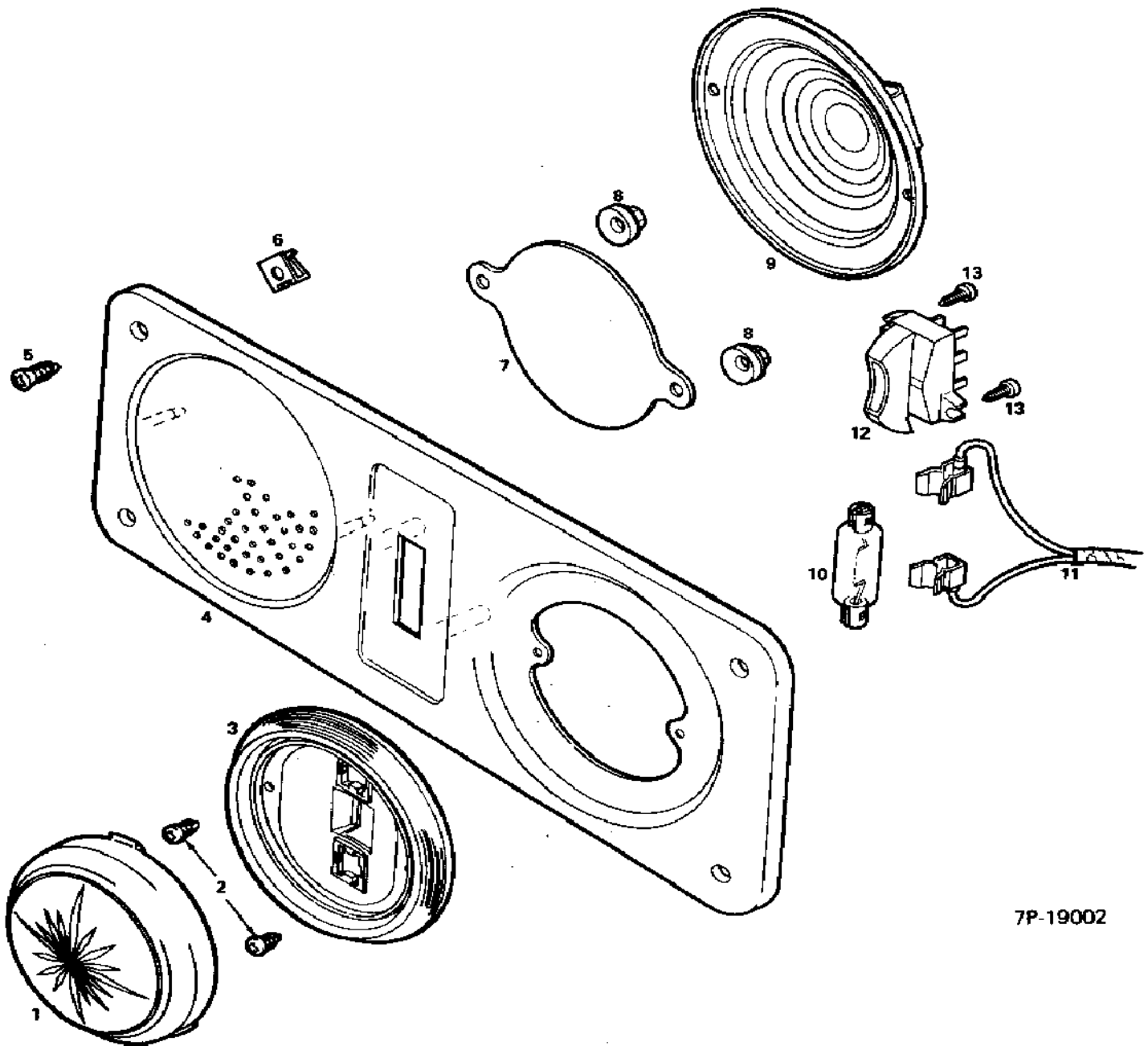
7P-28002

KEY 230 260 PART NUMBER

7.013 LAMP — MARKER

—	—	2	791143	LAMP ASSY—courtesy (LPG/gen. compartment) (eff. w/1975)
—	5	5	648281	LAMP ASSY—marker front
—	1	1	694262	LAMP ASSY—porch
—	5	5	712815	LAMP ASSY—rear center marker (repl. 2496502)
1	5	5	2444125	LENS—marker lamp (amber)
1	1	1	701211	LENS—porch lamp (clear)
1	5	5	2444124	LENS—rear center marker (red)
2	AR	AR	—	SCREW—lens, front marker & porch (8-32 x 3/8) (procure locally)
2	10	10	—	SCREW—lens, rear center marker (8-32 x 9/16) (procure locally)
3	AR	AR	2444123	GASKET—lens (prior to 1975)
3	—	1	2444123	GASKET—lens (eff. w/1975) (repl. 797256)
4	AR	AR	142450	BULB—12-16V, 4CP No. 67
5	1	1	797255	GASKET—body
—	2	2	2299512	RIVNUT—screw, front and rear center marker lamp mounting
—	2	2	2265051	RIVNUT—screw, porch lamp mounting
—	—	1	2962448	CONNECTOR—body (eff. w/1975 prior to 1978) (repl. 2962793) (w/out locking tab)
—	—	1	2977253	CONNECTOR—body (eff. w/1978) (w/locking tab)
—	—	4	799378	SLEEVE ASSY—courtesy lamp, screw thread nut (w/ZEO 6584) (repl. 791804)

ELECTRICAL



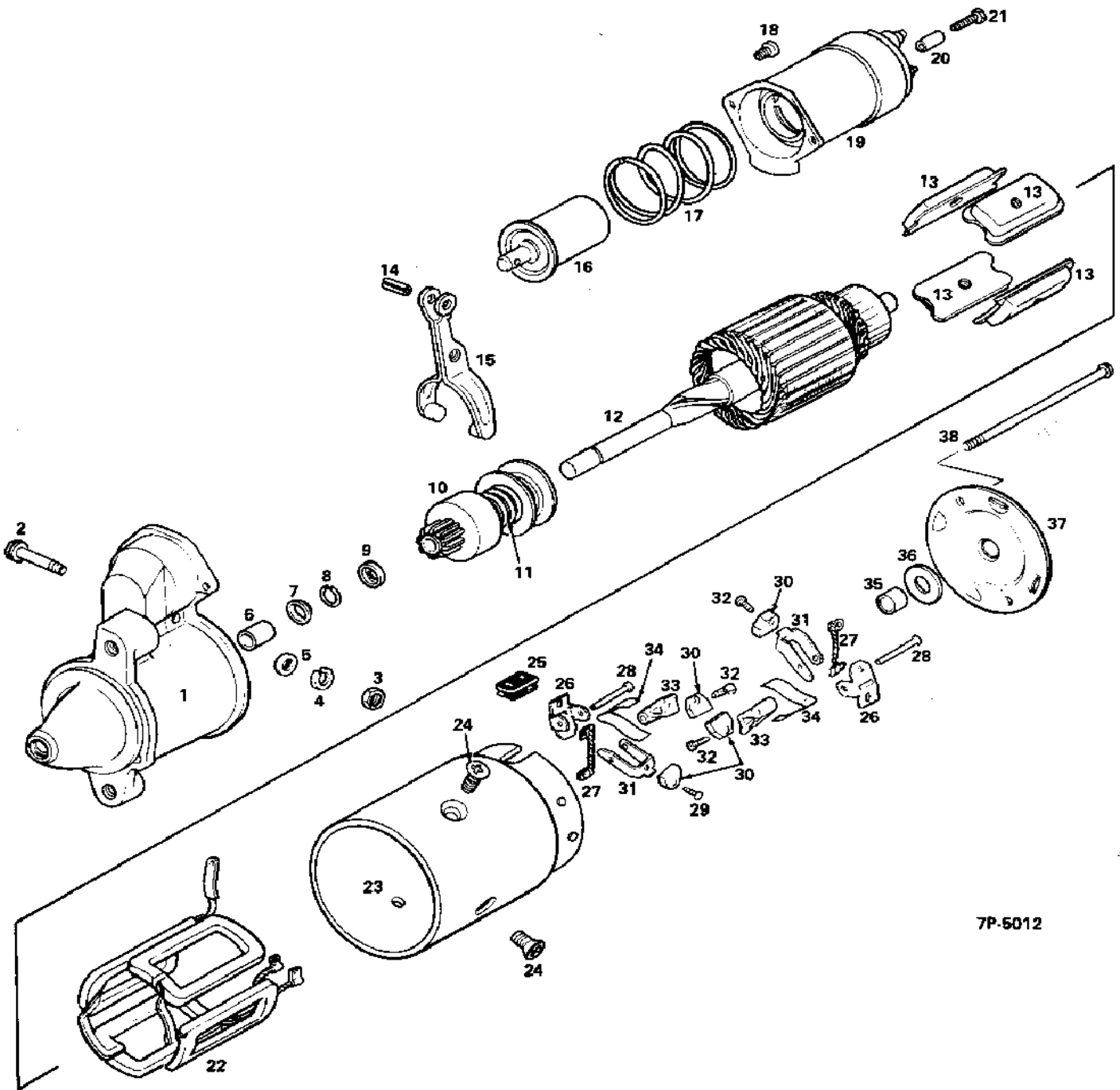
7P-19002

KEY 230 260 PART NUMBER

7.020 LAMP — DOME AND SPEAKER

1	2	2	8732777	LENS—dome lamp (prior to 1978)
1	2	2	20013679	LENS—dome lamp (1978)
2	4	4	—	SCREW—dome lamp reflector No. 6-20 x 1/2 pan hd. cross rec. (procure locally)
3	2	2	8732779	REFLECTOR—dome lamp (prior to 1978)
3	2	2	20030351	REFLECTER—dome lamp (1978)
4	2	2	694050	PANEL—dome lamp and speaker
5	8	8	—	SCREW—mounting, panel No. 8-18 x 7/8 ov. hd. cross rec. (procure locally)
6	8	8	—	NUT—panel mounting screw No. 8-18 clip type (procure locally)
7	2	2	699019	COVER—speaker hole (w/out radio)
8	4	4	9419761	NUT—hole cover 1/8 dia. stud type stamped skw. (procure locally)
9	2	2	9341561	SPEAKER—radio
10	2	2	9431808	BULB—dome lamp No. 211
11	2	2	8910940	HARNESS—front roof wiring
12	2	2	1386691	SWITCH—dome lamp
13	4	4	—	SCREW—dome lamp switch (ref. 9414714) (# 8-18 x 3/4)

ELECTRICAL



7P-5012

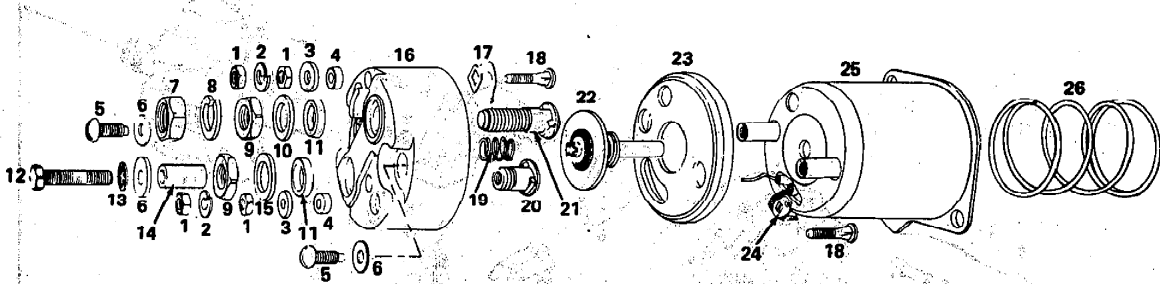
7.025 MOTOR - STARTING

7.025 MOTOR — STARTING

—	1	1	1108522	MOTOR ASSY.—starting (repl. 1108352) (prior to 1975) (ref. only) (w/413610, 416542, 417794, 418694 engine)
—	1	1	1108761	MOTOR ASSY.—starting (eff. w/1975) (repl. 1108522) (ref. only) (w/413610, 416542, 417794, 418694 engine)
—	1	1	1109027	MOTOR ASSY.—starting (repl. 1108522, 1108761 & 1108795) (w/413610, 416542, 417794, 418694, 556626 & 556627 engine)
—	1	1	1108795	MOTOR ASSY.—starting (eff. w/interm. 1977) (w/556626, 556627 engine) (ref. only)
—	1	1	1109069	MOTOR ASSY.—starting (eff. w/1978) (w/561032, 561033 engine)
1	1	1	1969357	HOUSING—drive
2	1	1	1932197	STUD—shift lever
3	1	1	—	NUT—H 5/16-18 (procure locally)
4	1	1	—	WASHER—lock 5/16 (procure locally)
5	1	1	—	WASHER—flat 5/16 (procure locally)
6	1	1	1932190	BUSHING—drive
7	1	1	1927849	COLLAR—stop DE
8	1	1	1927848	RING—stop. DE
9	1	1	1927850	COLLAR—thrust DE
10	1	1	1954842	DRIVE—starting motor (w/413610, 416542, 417794, 418694 engine)
10	1	1	1875687	DRIVE—starting motor (eff. w/interm. 1977) (w/556626, 556627, 561032, 561033 engine)
11	1	1	1932196	SPRING—drive
12	1	1	1970548	ARMATURE
13	4	4	1931129	SHOE—pole (w/1108352 motor assy.)
13	4	4	810601	SHOE—pole (w/1108522, 1108761 & 1108975 motor assy.)
14	1	1	456662	PIN—shift lever (repl. 455106) (w/1108522, 1108761, 1109027 motor assy.)
14	1	1	1894321	PIN—shift lever (w/1109069 motor assy.)
15	1	1	1951567	LEVER—shift (w/1108352, 1108761 & 1108795 motor assy.)
15	1	1	801433	LEVER—shift (w/1108522 motor assy.)
16	1	1	1941113	PLUNGER
17	1	1	1958679	SPRING—plunger return
18	1	1	—	SCREW—solenoid mounting (1/4-20 x 1/2 fill. cross rec. hd.) (procure locally)
19	1	1	1114458	SOLENOID—(see group 7.026) (repl. 1114356)
20	1	1	—	CONNECTOR—solenoid (w/1114356 solenoid) (ref. 1963519)
21	1	1	—	SCREW—solenoid (over No. 10-32 x 6/16 rd. hd.) (procure locally)
22	1	1	1965730	COIL—field (w/1108522 & 1108352 assy.)
22	1	1	1877306	COIL ASSY.—field (w/1108761, 1108795 assy.)
23	1	1	NS	HOUSING—
24	4	4	1970469	SCREW—pole shoe (3/8-24-UNF-2A-thd.)
24	4	4	1948396	SCREW—shoe pole (w/1109069 motor assy.)
25	1	1	1965047	GROMMET—field frame (w/1108352 assy.)
25	1	1	1846097	GROMMET—field frame (w/1108522, 1108761 & 1108975 motor assy.) (.75 O.D.)
26	2	2	1928015	KIT—support, brush holder (supports not serviced separately) (w/413610, 416542, 417794, 418694 engine)
26	2	2	1918015	KIT—support, brush holder (eff. w/interm. 1977) (w/556626, 556627, 561032, 561033 engine)
27	2	2	1960864	LEAD—brush ground (part of 1918015 & 1928015 kit)
28	2	2	1966923	PIN—brush holder (part of 1918015 & 1928015 kit)
29	4	4	—	SCREW—brush ground (procure locally)
30	4	4	1946400	BRUSH—(repl. 1906945)
31	2	2	1940477	HOLDER—brush ground
32	4	4	—	SCREW—brush insulator (procure locally)
33	2	2	1926618	HOLDER—brush insulator
34	2	2	1926622	SPRING—brush
35	1	1	810620	BUSHING—starting motor frame
36	1	1	818265	WASHER—brush CE
37	1	1	1928966	FRAME—CE (w/1108761, 1108795, & 1109027 motor assy.)
37	1	1	1974157	FRAME—CE (w/1109069 motor assy.)
38	2	2	1939970	BOLT—thru (1/4-20-UNF-2A-thd.)
—	1	1	* 809593	PIN—dowel DE
—	1	1	1970988	WASHER—spring, plunger retainer (.310 I.D. x .56 O.D.)
—	1	1	1904436	LOCKWIRE—drive

ELECTRICAL

NOTES

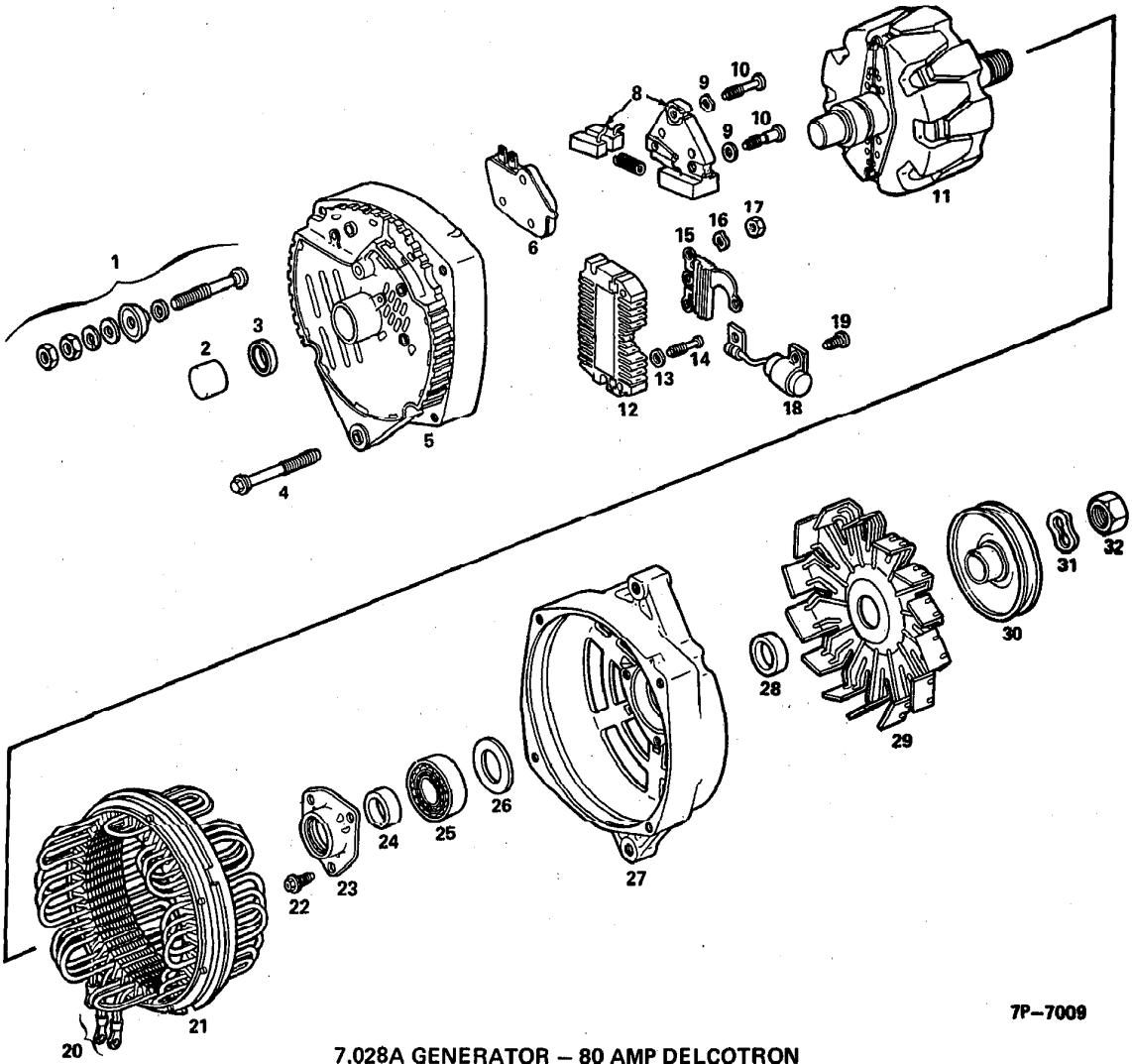


7-1123

KEY 230 260 PART NUMBER

7.026 SOLENOID — STARTING MOTOR

—	1	1	1114356	SOLENOID ASSY.—starting motor (ref. only) (first design)
—	1	1	1114458	SOLENOID ASSY.—starting motor (second design) (repl. 1114356)
1	4	4	NPN	NUT—motor terminal stud (No. 8-32)
2	2	2	138530	WASHER—lock terminal (No. 8) (procure locally)
3	2	2	034896	WASHER—terminal
4	2	2	—	WASHER—switch terminal (rubber) (ref. 1950071)
5	2	2	—	SCREW—attaching cover (10-32 x 7/16) (procure locally) (first design)
5	2	2	1891278	SCREW—attaching cover (second design)
6	3	3	1923935	WASHER—attaching cover screw
7	1	1	120377	NUT—terminal (3/8-16 hex)
8	1	1	—	WASHER—lock terminal (3/8) (procure locally)
9	2	2	—	NUT—terminal stud (3/8-16 hex) (procure locally)
10	1	1	1883115	WASHER—terminal sealing
11	2	2	1950064	WASHER—motor terminal stud (rubber)
12	1	1	—	SCREW—motor terminal (plain) (No. 10-32 x 1) (procure locally)
13	1	1	—	WASHER—terminal (int. lock) (No. 10) (procure locally)
14	1	1	—	CONNECTOR—terminal (ref. 1963519)
15	1	1	805790	WASHER—motor terminal stud (plain) (first design)
16	1	1	812622	WASHER—motor terminal stud (plain) (second design)
16	1	1	1875848	COVER ASSY.—(SOA) (repl. 1891552 & 1963525)
17	1	1	1935645	CONTACT—blade
18	2	2	1950069	STUD—switch and terminal
19	1	1	1853342	SPRING—plunger return
20	1	1	1955499	STUD—motor terminal
21	1	1	800487	STUD—battery terminal (repl. 1960244) (repl. 1940546)
22	1	1	1956226	CONTACT ASSY.—(incl. push rod) (SOA)
23	1	1	1966034	GASKET—cover (first design)
23	1	1	830485	GASKET—cover (second design)
24	1	1	1949538	CLIP—terminal
25	1	1	NS	HOUSING—case and coil
26	1	1	1951792	SPRING—return (first design)
26	1	1	1958679	SPRING—return (second design)
—	1	1	807295	WASHER—switch terminal (plain) (second design) (3/8 I.D. x .566 O.D.)



7.028A GENERATOR - 80 AMP DELCOTRON

7P-7009

7.028A GENERATOR — 80 AMP DELCOTRON (prior to 1978)

—	1	1	1101015	GENERATOR—80 amp Delcotron (complete) (prior to 1975)
—	1	1	1101030	GENERATOR—80 amp Delcotron (complete) (eff. w/ 1975) (repl. 1101016)
1	1	1	1846901	PACKAGE—battery terminal
2	1	1	7451931	BEARING—roller, slip ring end
3	1	1	1961323	SEAL—roller bearing, slip ring, end
4	4	4	801810	BOLT—through
5	1	1	801813	FRAME—slip ring end
6	1	1	1116387	REGULATOR
7	1	1	1964117	SPRING—brush holder
8	1	1	801466	HOLDER—brush (incl. spring)
9	2	2	1847933	WASHER—lock, brush holder screw (.176 I.D. x .410 O.D.)
10	2	2	1876681	SCREW—insulated, brush holder attach (w/ 1101015, 1101016 generator) (repl. 1846864) (8-32-UNC-2A-thd.)
11	1	1	1877057	ROTOR—(w/ 1101015 generator) (repl. 801792)
11	1	1	1877057	ROTOR ASSY.—(w/ 1101016 generator)
12	1	1	1875645	BRIDGE—rectifier (w/ 1101015, 1101016 generator) (repl. 801816)
13	1	1	1847933	WASHER—lock, rectifier bridge attaching screw (.176 I.D. x .410 O.D.)
14	AR	AR	1876668	SCREW—attaching, rectifier bridge (repl. 1970145) (8-32-UNC-2A-thd.)
15	1	1	830891	DIODE—(trio) (w/ 1101015 & 1101016 generator) (repl. 801817)
16	1	1	1847933	WASHER—lock, diode (.176 I.D. x .410 O.D.)
17	1	1	—	NUT—diode (procure locally)
18	1	1	1869573	BRACKET—capacitor
19	1	1	1851612	SCREW—capacitor (8-32 thd.)
20	3	3	NS	CLIP—stator lead
21	1	1	801818	STATOR
22	3	3	1965104	SCREW—ball bearing retainer plate (10-24 UNC 2A thd.)
23	1	1	1971993	PLATE—retainer ball bearing
24	1	1	1963139	COLLAR—shaft, drive end (inside)
25	1	1	907998	BEARING—drive end
26	1	1	800832	WASHER—grease slinger, drive end (.675 I.D. x 1.37 O.D.)
27	1	1	801806	FRAME—drive end
28	1	1	1959991	COLLAR—shaft, drive end (outside)
29	1	1	801808	FAN
30	1	1	1949357	PULLEY—generator (prior to 1978)
30	1	1	2025923	PULLEY—generator (w/ RPO L04) (1978)
31	1	1	1941978	WASHER—lock, shaft nut, drive end (.685 I.D. x 1.00 O.D.)
32	1	1	1915172	NUT—shaft, drive end (15/16 hex head)
—	1	1	830478	RESISTOR—regulator to ground (w/ 1101016 generator)
—	1	1	801815	CONNECTOR—battery term. to rect. bridge (w/ 1101016 generator)
—	3	3	1851612	SCREW—connector, battery terminal (w/ 1101016 generator) (8-32 thd.)

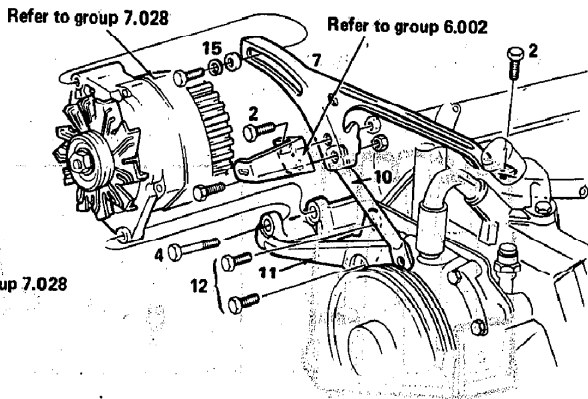
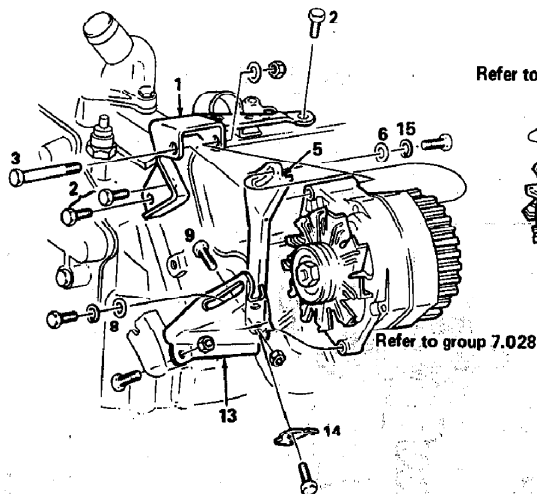
7.028H GENERATOR — 145 AMP DELCOTRON (1978)

—	1	1	1117148	GENERATOR—145 AMP (w/ RPO L04)
—	1	1	801722	PACKAGE ASSY.—battery terminal (SOA)
—	1	1	801634	FRAME ASSY.—slip ring end
—	1	1	1116389	REGULATOR ASSY.—generator (SOA)
—	1	1	801466	HOLDER ASSY.—brush
—	2	2	807295	WASHER—brush holder attach screw
—	2	2	830335	SCREW—brush holder attach (insul.)
—	2	2	830338	SCREW—brush holder attach
—	1	1	801539	ROTOR ASSY.—generator (SOA)
—	3	3	1867531	BRIDGE—rectifier
—	6	6	1851808	NUT—rectifier bridge term
—	6	6	830838	SCREW—rectifier bridge attach
—	5	5	807295	WASHER—rectifier bridge attach screw
—	2	2	1966879	SLEEVE—rectifier bridge attach screw (insul.)
—	1	1	1919478	WASHER—rectifier bridge attach screw
—	1	1	801572	DIODE—trio
—	1	1	801565	STATOR ASSY.—generator
—	4	4	1846955	SCREW—plate attach
—	1	1	801558	PLATE—cover
—	1	1	801551	CAPACITOR ASSY.—generator (SOA)
—	1	1	1970379	SCREW—capacitor attach
—	1	1	1910476	BRACKET—capacitor
—	1	1	1971673	PACKAGE ASSY.—relay terminal (SOA)

7.028H GENERATOR—145 AMP DELCOTRON (1978) (Cont.)

—	1	1	801533	FRAME—drive end
—	1	1	907056	BEARING ASSY.—drive end (New Departure Hyatt Bearing # Z99605-L1268 BC4)
—	1	1	801535	PLATE—drive end retainer
—	1	1	1948407	WASHER—drive end
—	4	4	1931312	NUT—drive end retainer attach screw
—	1	1	1912008	GASKET—drive end retainer plate
—	1	1	1846291	SCREW—drive end retainer plate attach
—	1	1	1968890	COLLAR—drive end outside shaft
—	1	1	1968891	SLINGER—drive end grease
—	1	1	9418881	NUT—drive end shaft
—	1	1	1905406	WASHER—drive end nut spring
—	1	1	1969481	FAN—generator
—	1	1	1851808	NUT—regulator stud
—	1	1	1970227	CAP—relay trim cover
—	4	4	1968991	BOLT—thru
—	1	1	801548	BODY—regulator connector
—	1	1	801549	PLATE—connector body hold down
—	1	1	1970397	SCREW—connector body hold down
—	1	1	801532	CAP—voltage adjustment
—	1	1	1851165	LEAD—relay terminal to heat sink
—	1	1	801550	CONNECTOR—rect. bridge to output
—	1	1	801481	LEAD—ac terminal stud
—	2	2	801575	LEAD—ac terminal stud
—	3	3	1905125	WASHER—nut
—	3	3	1944973	BUSHING—terminal stud nut
—	1	1	1959327	INSULATOR—terminal (repl. 1913436)
—	1	1	1970397	SCREW—rect. bridge to output terminal attach

ELECTRICAL

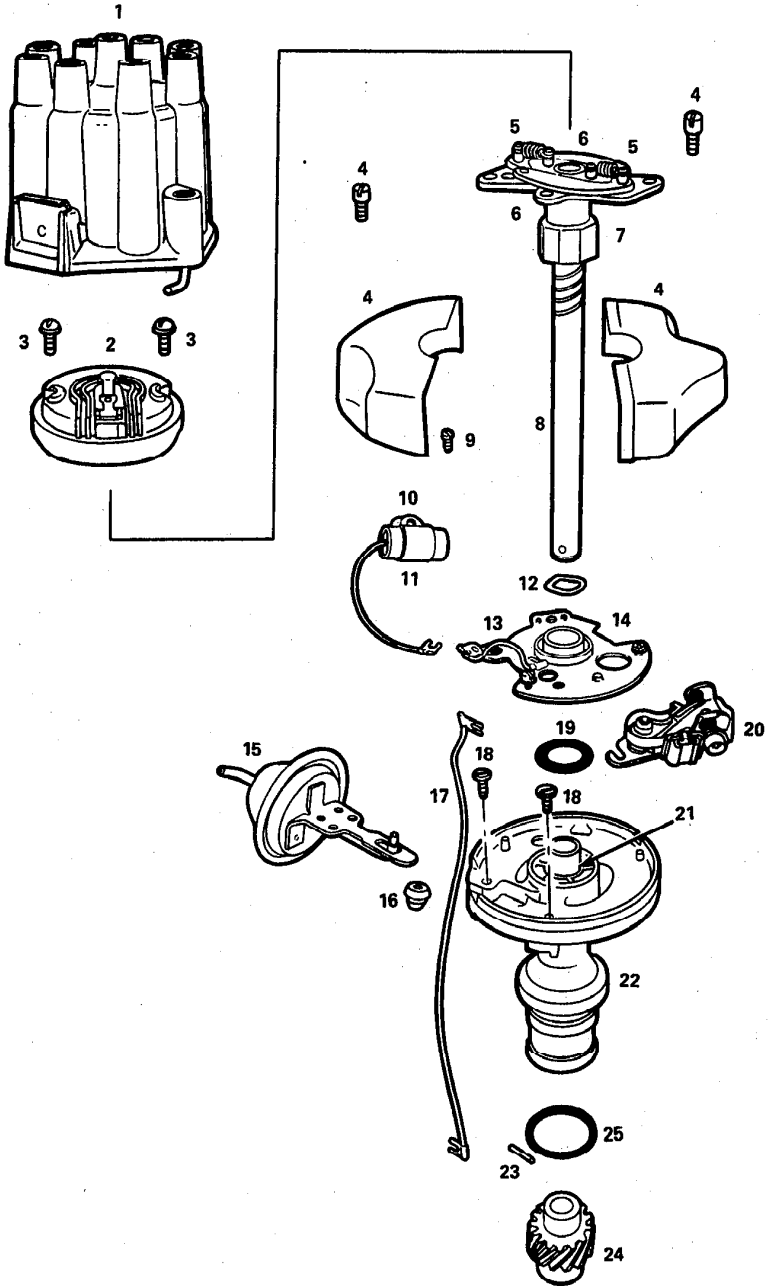


KEY	230	260	PART NUMBER
-----	-----	-----	-------------

7.029 GENERATOR MOUNTING

1	1	1	410354	BRACKET—generator front mounting (w/air cond.) (w/413610 engine) (eff. w/1973 & prior to 1974)
1	1	1	703569	BRACKET—generator front mounting (w/air cond.) (w/413610, 416542, 417794, 418694 engine) (eff. w/1974)
1	1	1	1606894	BRACKET—generator front mounting (eff. w/interm. 1977) (w/556626, 556627 engine)
1	1	1	2025931	BRACKET ASSY.—generator front mounting (561032, 561033 engine)
2	3	3	9418967	BOLT—generator bracket (3/8-16 x 3/4)
3	1	1	—	BOLT—generator to bracket (w/air cond.) (procure locally)
4	1	1	9437699	BOLT—generator to bracket (exc./air cond.) (3/8-16 x 3 1/4) (repl. 9419063)
5	1	1	410760	BRACE—generator (w/air cond.) (w/410360 engine) (eff. w/1973 & prior to 1974)
5	1	1	714617	BRACE—generator (w/air cond.) (w/413610, 416542, 417794, 418694 engine) (eff. w/1974)
5	1	1	556690	BRACE—generator (eff. w/interm. 1977) (w/556626, 556627 engine)
6	1	1	3834560	WASHER—gen. link or brace (w/air cond.) (11/32 special)
7	1	1	22604485	LINK—adjusting gen. (exc./air cond.) (repl. 390146)
8	1	1	3834560	WASHER—gen. brace lower bolt (w/air cond.) (11/32 special)
9	2	2	9430677	BOLT—brace and link (w/air cond.) (repl. 9418918) (5/16-18 x 1" 300M)
10	1	1	390145	STRUT—adjusting link (exc./air cond.)
11	1	1	397209	BRACKET—generator lower (exc./air cond.)
12	3	3	9427321	BOLT—gen. bracket to engine (exc./air cond.) (3/8-16 x 1" 300M)
13	1	1	410353	LINK—adjusting generator (w/air cond.) (w/413610 engine) (eff. w/1973 & prior to 1974)
13	1	1	702363	ARM—adjusting generator (link) (w/air cond.) (w/413610, 416542, 417794, 418694 engine) (eff. w/1974)
13	1	1	2027902	ARM—adjusting generator (w/RPO LO4) (1978) (w/556626, 556627, 561032, 561033 engine)
13	1	1	557460	ARM—adjusting generator (std.) (1978) (w/556626, 556627, 561032, 561033 engine)
14	1	1	399423	LOCK—generator link (w/air cond.)
15	2	2	2436163	WASHER—mounting (13/32 I.D. 13/16 O.D.)
—	1	1	703572	BRACKET—generator rear mounting (w/air cond.) (w/413610, 416542, 417794, 418694 engine)
—	1	1	556693	BRACKET—generator rear mounting (eff. w/interm. 1977) (w/556626, 556627 engine) (prior to 1978)
—	1	1	2025911	BRACKET—rear mounting (w/RPO LO4) (eff. w/1978)
—	3	3	9420462	BOLT—generator front mounting bracket to engine (300M, 3/8"-16 x 1 1/4") (eff. w/interm. 1977) (w/556626, 556627, 561032, 561033 engine)
—	3	3	2479541	WASHER—generator front mounting bracket to engine bolt (.406 I.D. x .750 O.D. x .1196 thk.) (eff. w/interm. 1977) (w/556626, 556627, 561032, 561033 engine)
—	1	1	556691	SPACER—generator rear bracket (1.1/16" sq. x 9/16" lg.) (eff. w/interm. 1977) (w/556626, 556627, 561032, 561033 engine)

ELECTRICAL



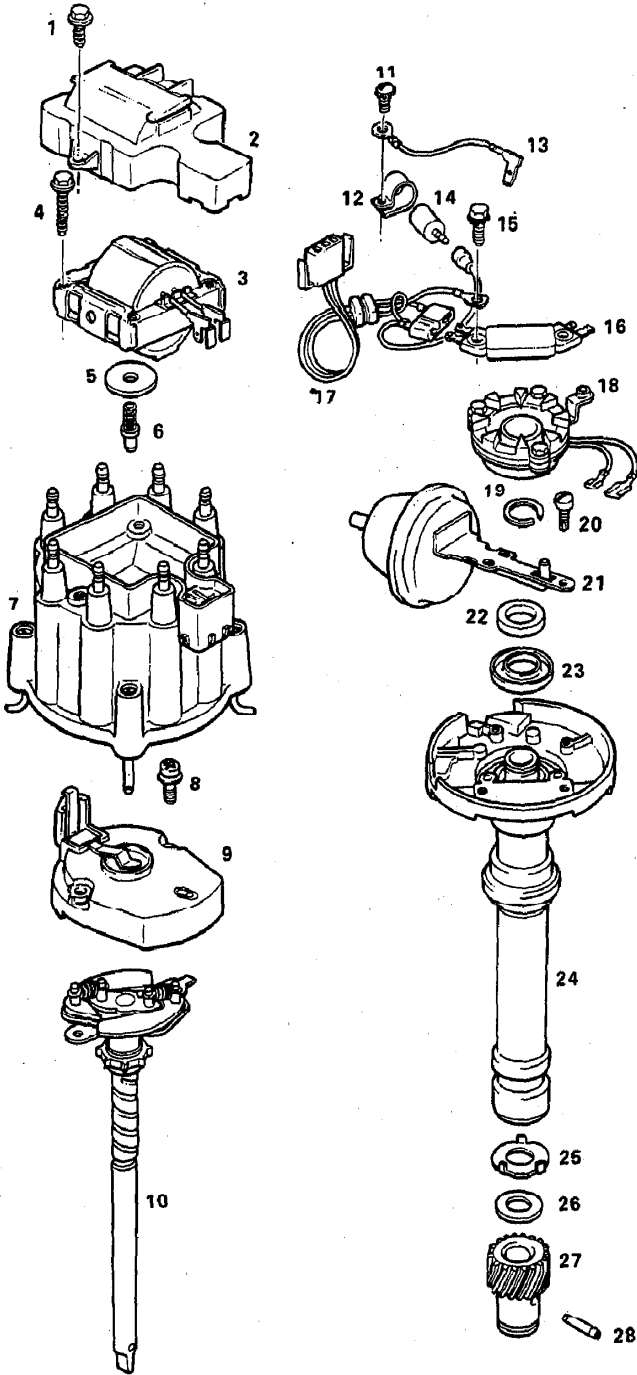
7.031 DISTRIBUTOR

7P-6006

7.031 DISTRIBUTOR

-	1	1	1112172	DISTRIBUTOR ASSY.—complete. (w/413610, 416542 engine) (incl. the following items thru asterisk)
1	1	1	800061	CAP—distributor
2	1	1	1852722	ROTOR—distributor (repl. 1971247)
3	2	2	274453	SCREW—rotor attaching, incl. lockwasher (SOA)
4	1	1	1846216	PACKAGE—shield
5	2	2	1852908	SPRING—weight
6	2	2	1881371	WEIGHT
7	1	1	1943835	CAM
8	1	1	1852909	SHAFT
9	1	1	9417273	SCREW—condenser attaching (repl. 159572) (8-32 x 1/4)
10	1	1	1869573	BRACKET—condenser
11	1	1	1932004	CONDENSER
12	1	1	1932024	SPRING—contact weight retainer
13	1	1	1932002	LEAD—ground
14	1	1	1876641	PLATE—(repl. 1846122)
15	1	1	1973408	CONTROL—vacuum
16	1	1	1932023	GROMMET—housing (.54 O.D.)
17	1	1	1942518	LEAD—primary
18	2	2	454408	SCREW—control attaching
19	1	1	1951099	WASHER—felt (under breaker plate)
20	1	1	1931988	CONTACT ASSY.
21	1	1	1950569	SEAL—lubrication
22	1	1	801262	HOUSING
23	1	1	-	PIN—gear attaching (procure locally)
24	1	1	1955676	GEAR—shaft
25	1	1	NPN	O-RING—(not part of assy.)
-	1	1	1961234	SLEEVE—(on spring post)
-	1	1	1852935	PACKAGE—lubricator
-	1	1	* 1963858	RETAINER—camp lubricator (felt)
-	1	1	1938193	GROMMET—spherical (inside distributor cap) (.243 O.D.)

ELECTRICAL



7.031A DISTRIBUTOR — HIGH ENERGY IGNITION (H.E.I.)

1	1	1112893	DISTRIBUTOR ASSY.—complete (w/417794 engine) (repl. 1112908)
1	1	1112945	DISTRIBUTOR ASSY.—complete (w/418694 engine)
1	1	1103267	DISTRIBUTOR ASSY.—complete (w/556626, 561032 engine)
1	1	1103299	DISTRIBUTOR ASSY.—complete (w/556627 engine) (ref. only)
1	1	1103309	DISTRIBUTOR ASSY.—complete (w/561033 engine) (repl. 1103299)
1	1	1876153	SCREW—dist. cap cover attaching (.250 hex head)
2	1	1875960	COVER—cap
3	1	1875894	COIL ASSY.—ignition (w/1112893, 1112945, 1103267, 1103299 distributor)
3	1	1876209	COIL ASSY.—ignition (1103309 distributor)
4	4	1875961	SCREW—ignition coil attaching (incl. lockwasher)
5	1	1875962	SEAL—ignition coil (rubber)
6	1	1875967	BRUSH—register (cap)
7	1	1875963	CAP—distributor (w/1112893, 1112945, 1103267, 1103299 distributor)
7	1	1893686	CAP—distributor (w/1103309 distributor)
8	1	1875948	SCREW—rotor attaching (incl. lockwasher)
9	1	1893518	ROTOR— (repl. 1891080)
10	1	830421	SHAFT ASSY.—main (w/1112893 & 1112945 distributor)
10	1	1893988	SHAFT ASSY.—main (w/1103267 distributor)
10	1	1894423	SHAFT ASSY.—main (w/1103299 distributor)
10	1	1894687	SHAFT ASSY.—main (w/1103309 distributor)
11	1	1876639	SCREW—capacitor bracket attaching (incl. lockwasher)
12	1	1869573	BRACKET—capacitor
13	1	1876155	LEAD—ground (w/1112893, 1112945, 1103267, 1103299 distributor)
13	1	1894868	LEAD—ground (w/1103309 distributor)
14	1	1876154	CAPACITOR
15	1	1891234	SCREW—module attaching, (incl. lockwasher)
16	1	1875990	MODULE
17	1	1876013	HARNES
18	1	1875981	POLE PIECE & PLATE (w/1112893, 1112945, 1103267, 1103299 distributor)
18	1	1892175	POLE PIECE & PLATE (w/1103309 distributor)
19	1	830446	RETAINER—pole piece & plate
20	1	1891239	SCREW—vacuum control attaching (8-32 x 1/2)
21	1	1973523	CONTROL—vacuum (w/1112893 & 1112945 distributor) (.72 I.D. x 1.2 O.D.)
21	1	1973609	CONTROL—vacuum (w/1103267 distributor)
21	1	1973622	CONTROL—vacuum (w/1103299 distributor)
21	1	1973634	CONTROL—vacuum (w/1103309 distributor)
22	1	1951099	WASHER—pole piece & plate, felt
23	1	1950569	SEAL—housing, distributor
24	1	1875955	HOUSING
25	1	1865864	WASHER—gear, tang-under (.500 I.D. x 1.00 O.D.)
26	1	1837617	WASHER—thrust, distributor housing (.500 I.D. x 1.00 O.D.)
27	1	1955676	GEAR
28	1	—	PIN—gear attaching (procure locally) (1/8 x 7/8) (ref. 455862)
—	1	1837617	WASHER—distr. thrust (w/1103309 distributor)
—	1	1965864	WASHER—distr. tang (w/1103309 distributor)

7.032 RADIO — AM/FM STEREO W/FOUR SPEAKERS

—	1	1	NS	PACKAGE ASSY.—radio (incl. bolts, nuts, washers and the following items as indicated) (ref. 2234623)
—	1	1	7314211	RECEIVER ASSY.—radio (SOA) (w/2234623 pkg. assy.)
—	1	1	NS	RECEIVER ASSY.—radio (SOA) (ref. 9345290)
—	1	1	703515	CAPACITOR ASSY.—air compressor feed-through (SOA) (w/2234623 pkg. assy.)
—	1	1	1852715	CAPACITOR ASSY.—ignition coil (SOA) (repl. 1935729) (w/2234623 pkg. assy.)
—	1	1	409609	CAPACITOR ASSY.—heater blower feed-through (SOA) (w/2234623 pkg. assy.)
—	2	2	9341561	SPEAKER ASSY.—radio front (3—1/2 inches) (SOA) (w/2234623 pkg. assy.)
—	2	2	9347820	SPEAKER ASSY.—radio rear (4 inches x 10 inches) (SOA) (repl. 7933542) (w/2234623 pkg. assy.)

7.032 RADIO — AM/FM STEREO W/FOUR SPEAKERS (Cont.)

—	1	1	703797	BRACKET—support, radio, (RH) (prior to 1977) (w/2234623 pkg. assy.)
—	1	1	703796	BRACKET—support, radio, (LH) (prior to 1977) (w/2234623 pkg. assy.)
—	1	1	798978	BRACKET—support, radio (eff. w/1977)
—	1	1	8913814	WIRE ASSY.—speaker, radio (SOA) (prior to Serial No. 6V100878) (w/2234623 pkg. assy.)
—	1	1	12002295	WIRE ASSY.—speaker, radio (eff. w/Serial No. 6V100878)
—	1	1	3986829	KNOB ASSY.—radio control, (RH) (SOA) (w/2234623 pkg. assy.)
—	1	1	3986872	KNOB ASSY.—radio control, (LH) (SOA) (w/2234623 pkg. assy.)
—	2	2	3986873	KNOB ASSY.—radio control, tone (SOA) (w/2234623 pkg. assy.)
—	2	2	—	BOLT ASSY.—radio receiver to bracket (SOA) (procure locally) (ref. 3996266) (w/2234623 pkg. assy.)

7.32H RADIO — AM/FM STEREO W/SIX SPEAKERS

—	1	1	7898450	RECEIVER ASSY.—radio (SOA)
—	2	2	NPN	NUT—radio receiver to instrument panel (ref. 7279805) (procure locally)
—	1	1	3986829	KNOB ASSY.—radio control, RH (SOA)
—	1	1	3986872	KNOB ASSY.—radio control LH (SOA)
—	2	2	3986873	KNOB ASSY.—radio control, tone (SOA)
—	2	2	16000680	SPEAKER ASSY.—radio front (86.1 O.D.) (SOA)
—	—	2	2028765	SPEAKER ASSY.—radio center (SOA)
—	2	2	7898980	SPEAKER ASSY.—radio rear (SOA)
—	1	1	409609	CAPACITOR ASSY.—heater blower feed-through (SOA)

7.033 RADIO — AM/FM W/STEREO TAPE PLAYER W/FOUR SPEAKERS

—	1	1	NS	PACKAGE ASSY.—radio (incl. bolts, nuts, washers and the following items as indicated) (ref. 2234625)
—	1	1	NS	RECEIVER ASSY.—radio (SOA) (repl. 7930121) (ref. 7895373) (prior to 1977) (w/2234625 pkg. assy.)
—	1	1	7898160	RECEIVER ASSY.—radio (SOA)
—	1	1	9342545	CONNECTOR ASSY.—(SOA) (w/2234625 pkg. assy.)
—	1	1	703515	CAPACITOR ASSY.—air compressor feed-through (SOA) (w/2234625 pkg. assy.)
—	1	1	1852715	CAPACITOR ASSY.—ignition coil (SOA) (repl. 1935729) (w/2234625 pkg. assy.)
—	1	1	409609	CAPACITOR ASSY.—heater blower feed-through (SOA) (w/2234625 pkg. assy.)
—	2	2	9341561	SPEAKER ASSY.—radio (3—1/2 inches) (front) (SOA) (w/2234625 pkg. assy.)
—	2	2	9347820	SPEAKER ASSY.—radio (4 inches x 10 inches) (rear) (SOA) (repl. 7933542) (w/2234625 pkg. assy.)
—	1	1	703797	BRACKET—support, (RH) (prior to 1977) (w.2234625 pkg. assy.)
—	1	1	703796	BRACKET—support, (LH) (prior to 1977) (w/2234625 pkg. assy.)
—	1	1	NPN	BRACKET—support, radio (eff. w/1977)(ref. 798978) (procure locally)
—	1	1	8913814	WIRE ASSY.—speaker, radio (SOA) (w/2234625 pkg. assy.)
—	1	1	3986829	KNOB ASSY.—radio control, (RH) (SOA) (w/2234625 pkg. assy.)
—	1	1	3986872	KNOB ASSY.—radio control, (LH) (SOA) (w/2234625 pkg. assy.)
—	2	2	3986873	KNOB ASSY.—radio control, tone (SOA) (w/2234625 pkg. assy.)
—	2	2	—	BOLT ASSY.—radio receiver to bracket (SOA) (procure locally) (ref. 3996266) (w/2234625 pkg. assy.)

7.033H RADIO — AM/FM W/STEREO TAPE PLAYER, W/SIX SPEAKERS

—	1	1	995998	RECEIVER ASSY.—radio (SOA)(repl. 7898510)
—	2	2	7279805	NUT—radio receiver to instrument panel
—	1	1	3986829	KNOB ASSY.—radio control, RH (SOA)
—	1	1	3986872	KNOB ASSY.—radio control, LH (SOA)
—	1	1	3986873	KNOB ASSY.—radio control, tone (SOA)
—	2	2	16000680	SPEAKER ASSY.—radio front (86.01 O.D.) (SOA)
—	—	2	2028765	SPEAKER ASSY.—radio center (SOA)
—	2	2	7898980	SPEAKER ASSY.—radio rear (SOA)
—	1	1	409609	CAPACITOR ASSY.—heater blower feed-through feed (SOA)

7.034 RADIO — AM W/FOUR SPEAKERS

-	1	1	NS	PACKAGE ASSY.—radio (incl. bolts, nuts, washers and the following items as indicated) (ref. 2234621)
-	1	1	703515	CAPACITOR ASSY.—air compressor feed-through (SOA) (w/2234621 pkg. assy.)
-	1	1	1852715	CAPACITOR ASSY.—ignition coil (SOA) (repl. 1935729) (w/2234621 pkg. assy.)
-	1	1	409609	CAPACITOR ASSY.—heater blower feed-through (SOA) (w/2234621 pkg. assy.)
-	2	2	9341561	SPEAKER ASSY.—radio (3—1/2 inches) (front) (SOA) (w/2234621 pkg. assy.)
-	2	2	9347820	SPEAKER ASSY.—radio (4 inches x 10 inches) (rear) (SOA) (repl. 7933542) (w/2234621 pkg. assy.)
-	1	1	703797	BRACKET—support, radio, (RH) (prior to 1977) (w/2234621 pkg. assy.)
-	1	1	2001434	BRACKET—support, radio (eff. w/1977)
-	1	1	8913814	WIRE ASSY.—speaker, radio (SOA) (w/2234621 pkg. assy.)
-	1	1	3986829	KNOB ASSY.—radio control, (RH) (SOA) (w/2234621 pkg. assy.)
-	1	1	3986872	KNOB ASSY.—radio control, (LH) (SOA) (w/2234621 pkg. assy.)
-	2	2	3886873	KNOB ASSY.—radio control, tone (SOA) (w/2234621 pkg. assy.)
-	1	1	—	BOLT ASSY.—radio receiver to bracket (SOA) (procure locally) (ref. 3996266) (w/2234621 pkg. assy.)

7.035 RADIO — AM/STEREO TAPE PLAYER W/FOUR SPEAKERS

-	1	1	NS	PACKAGE ASSY.—radio (incl. bolts, nuts, washers and the following items as indicated) (ref. 2234624)
-	1	1	NS	RECEIVER ASSY.—radio (SOA) (repl. 7930061) (prior to 1977) (w/2234624 pkg. assy.)
-	1	1	7898150	RECEIVER ASSY.—radio (SOA) (eff. w/1977)
-	1	1	1852715	CAPACITOR ASSY.—ignition coil (SOA) (repl. 1935729) (w/2234624 pkg. assy.)
-	1	1	409609	CAPACITOR ASSY.—heater blower feed-through (SOA) (w/2234624 pkg. assy.)
-	2	2	9341561	SPEAKER ASSY.—radio (3—1/2 inches) (front) (SOA) (w/2234624 pkg. assy.)
-	2	2	9347820	SPEAKER ASSY.—radio (4 inches x 10 inches) (rear) (SOA) (repl. 7933542) (w/2234624 pkg. assy.)
-	2	2	2005376	SPEAKER ASSY.—radio center
-	1	1	703797	BRACKET—support, (RH) (prior to 1977) (w/2234624 pkg. assy.)
-	1	1	703796	BRACKET—support, (LH) (prior to 1977) (w/2234624 pkg. assy.)
-	1	1	798978	BRACKET—support, radio (eff. w/1977)
-	1	1	8913814	WIRE ASSY.—speaker, radio (SOA) (w/2234624 pkg. assy.)
-	1	1	3986829	KNOB ASSY.—radio control, (RH) (SOA) (w/2234624 pkg. assy.)
-	1	1	3986872	KNOB ASSY.—radio control, (LH) (SOA) (w/2234624 pkg. assy.)
-	2	2	3986873	KNOB ASSY.—radio control, tone (SOA) (w/2234624 pkg. assy.)
-	2	2	—	BOLT ASSY.—radio receiver to bracket (SOA) (procure locally) (ref. 3996266) (w/2234624 pkg. assy.)
-	1	1	9342545	CONNECTOR ASSY.—(SOA) (w/2234624 pkg. assy.)

7.036 RADIO — AM/FM MONO W/FOUR SPEAKERS

-	1	1	NS	PACKAGE ASSY.—radio (incl. bolts, nuts, washers and the following items as indicated) (ref. 2234622)
-	1	1	NS	RECEIVER ASSY.—radio (SOA) (ref. 7933301) (w/2234622 pkg. assy.)
-	1	1	703515	CAPACITOR ASSY.—air compressor feed-through (SOA) (w/2234622 pkg. assy.)
-	1	1	1852715	CAPACITOR ASSY.—ignition coil (SOA) (repl. 1935729) (w/2234622 pkg. assy.)
-	1	1	409609	CAPACITOR ASSY.—heater blower feed-through (SOA) (w/2234622 pkg. assy.)
-	2	2	9341561	SPEAKER ASSY.—radio, front (3—1/2 inches) (SOA) (w/2234622 pkg. assy.)
-	2	2	9347820	SPEAKER ASSY.—radio, rear (4 inches x 10 inches) (SOA) (repl. 7933542) (w/2234622 pkg. assy.)

ELECTRICAL

KEY 230 260 PART NUMBER

7.036 RADIO — AM/FM MONO W/FOUR SPEAKERS (Cont.)

—	1	1	703797	BRACKET—support, radio, (RH) (prior to 1977) (w/2234622 pkg. assy.)
—	1	1	703796	BRACKET—support, radio, (LH) (prior to 1977) (w/2234622 pkg. assy.)
—	1	1	798978	BRACKET—support, radio (eff. w/1977)
—	1	1	8913814	WIRE ASSY.—speaker, radio (SOA) (w/2234622 pkg. assy.)
—	1	1	3986829	KNOB ASSY.—radio control, (RH) (SOA) (w/2234622 pkg. assy.)
—	1	1	3986872	KNOB ASSY.—radio control, (LH) (SOA) (w/2234622 pkg. assy.)
—	2	2	3986873	KNOB ASSY.—radio tone control, (SOA) (w/2234622 pkg. assy.)

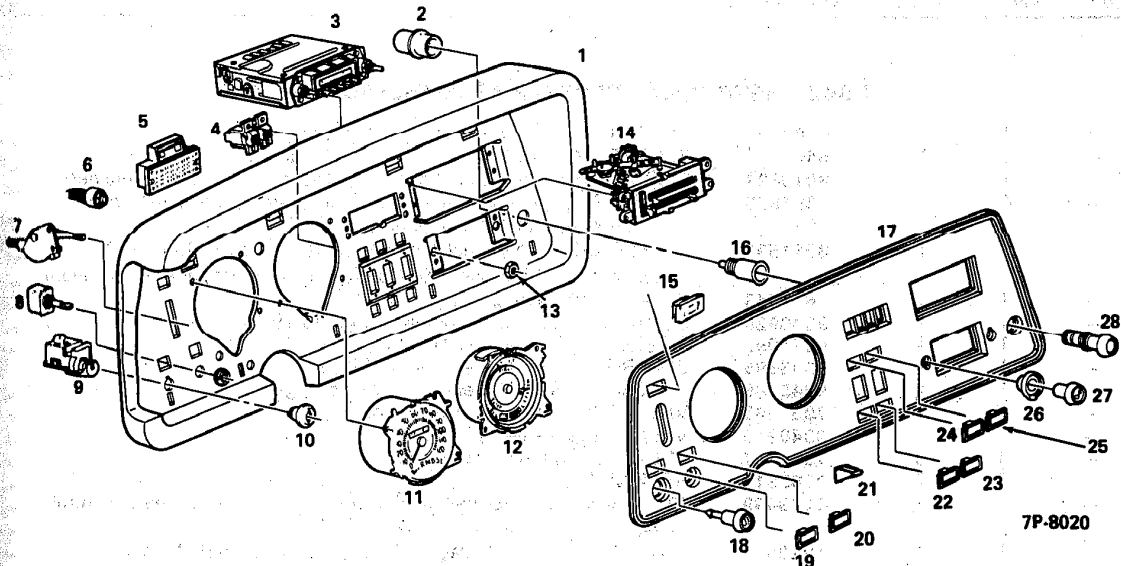
7.037 ANTENNA — RADIO

—	1	1	713739	ANTENNA ASSY.—(repl. 699103)
—	1	1	2021804	ANTENNA ASSY.—C/B
—	1	1	704520	CONDUIT—antenna
—	1	1	665880	MAST ASSY.—antenna (incl. nut)
—	1	1	665884	NUT—mounting, antenna (chrome plated) (used w/699103)
—	1	1	—	GASKET—antenna, mounting (procure locally) (ref. 665881)
—	1	1	—	SEAL—antenna, mounting (procure locally) (ref. 689693)
—	1	1	—	WASHER—antenna (chrome plated) (procure locally) (ref. 665882)
—	1	1	719391	EXTENSION ASSY.—antenna lead in
—	1	1	719390	NUT—mounting, antenna (chrome plated) (used w/713739)

7.038 COIL — IGNITION AND WIRING

—	1	1	6292319	WIRE SET—ignition
—	1	1	1115238	COIL ASSY.—ignition (prior to Serial No. 5V100472) (repl. 1115221)
—	1	1	12002211	HARNESS ASSY.—high energy ignition (spark plug) (SOA) (eff. w/serial no. 5V100472) (repl. 12000022) (413610, 416542, 417794, 418694 engine)
—	1	1	12002210	HARNESS ASSY.—high energy ignition (spark plug) (eff. w/interm. 1977) (prior to 1978) (w/556626, 556627 engine)
—	1	1	12002211	HARNESS ASSY.—high energy ignition (spark plug) (1978) (w/561032, 561033 engine)
—	1	1	8916005	CABLE ASSY.—No. 1 spark plug (repl. 8904948) (prior to Serial No. 5V100472)
—	2	2	8916002	CABLE ASSY.—No. 2 and 4 spark plug (repl. 8904941) (prior to Serial No. 5V100472)
—	1	1	8915242	CABLE ASSY.—No. 3 spark plug (repl. 8910879) (prior to Serial No. 5V100472)
—	2	2	8916007	CABLE ASSY.—No. 5 and 8 spark plug (repl. 8904917) (prior to Serial No. 5V100472)
—	2	2	8916008	CABLE ASSY.—No. 6 and 7 spark plug (repl. 8910044) (prior to Serial No. 5V100472)
—	1	1	6297881	CABLE ASSY.—coil to distributor (prior to Serial No. 5V100472)
—	1	1	8900174	RETAINER—spark plug cable (LH) (prior to Serial No. 5V100472) (w/413610, 416542, 417794, 418694 engine)
—	3	3	8917143	RETAINER—spark plug cable (eff. w/Serial No. 5V100472) (w/413610, 416542, 417794, 418694 engine)
—	1	1	8917144	RETAINER—spark plug cable (eff. w/Serial No. 5V100472) (w/413610, 416542, 417794, 418694 engine)
—	1	1	657558	RETAINER—spark plug cable (eff. w/Serial No. 5V100472) (repl. 3830786) (w/413610, 416542, 417794, 418694 engine)
—	2	2	367111	RETAINER—spark plug cable (eff. w/interm. 1977) (w/556626, 556627 engine)
—	1	1	3816659	RETAINER—spark plug cable (eff. w/1977) (w/556626 & 556627 engine)
—	1	1	8917256	CLIP—retainer, ignition (eff. w/Serial No. 5V100472) (repl. 8911554)
—	1	1	550208	BRACKET—spark plug cable (RH) (w/417794, 418694 engine)
—	1	1	417733	BRACKET—spark plug cable (LH) (w/418694 engine)
—	1	1	555469	BRACKET—spark plug cable (LH) (w/417794 engine)

ELECTRICAL



7P-8020

Qty 230 260 PART NUMBER

7.042 INSTRUMENT CLUSTER ASSEMBLY

1	1	1	695697	CLUSTER ASSY.—foam ring instrument (ref. only)
1	1	1	2003206	CLUSTER ASSY.—foam ring instrument (repl. 695697 (repl. 790064)
2	1	1	3986869	HOUSING ASSY.—cigarette lighter
3	1	1	2234621	RADIO ASSY.—(ref. only)
4	AR	AR	700994	SWITCH—fuel tank selector
5	1	1	8989860	TELL-TALE ASSY.—cruise, door, water, belts low fuel, parking brakes (see 7.045) (repl. 6499752)
6	1	1	1597232	SWITCH ASSY.—electronic, low fuel (repl. 1596747, 6495299)
7	1	1	699111	CABLE CONTROL ASSY.—windshield wiper
8	1	1	702795	SWITCH ASSY.—electronic windshield wiper
9	1	1	1995194	SWITCH ASSY.—lighting (repl. 1995186)
10	1	1	1952727	NUT—mounting, light switch
11	1	1	6499484	CLUSTER ASSY.—miles instrument (see group 7.043) (prior to Serial No. 6V100878) (ref. only)
11	1	1	8989366	CLUSTER ASSY.—miles instrument (see group 7.043) (eff. w/Serial No. 6V100878) (repl. 6499484) (MPH & KPH)
12	1	1	8989907	GAUGE ASSY.—cluster (fuel, oil, temp.) (eff. w/Serial No. 6V100878)
12	1	1	6499489	GAUGE ASSY.—cluster (fuel, temp., oil, generator, brake) (prior to Serial No. 6V100878)
13	2	2	—	NUT—radio receiver (procure locally) (ref. 7279805) (7/16-28-UNEF-2B-thd.)
14	1	1	9340926	CONTROL—heater and a/c (prior to 1975)
14	1	1	9345095	CONTROL—heater and a/c (eff. w/1975 & prior to 1977)
14	1	1	7898865	CONTROL ASSY.—heater, defroster & a/c (repl. 7895845) (eff. w/1977)
16	1	1	697216	PLATE ASSY.—name, instrument panel (wiper)
16	1	1	3986870	RETAINER ASSY.—cigarette lighter (repl. 6258260)
17	1	1	—	BEZEL—instrument cluster (see group 23.050)
18	1	1	3986886	ROD ASSY.—light switch
19	1	1	697208	PLATE ASSY.—name, instrument panel (lights)
20	1	1	697225	PLATE ASSY.—name, instrument panel (washer)
21	1	1	699118	BUTTON—windshield wiper switch
22	1	1	699636	PLATE ASSY.—name, instrument panel (fuel aux.)
23	1	1	699633	PLATE ASSY.—name, instrument panel (bat. booster)
24	1	1	699635	PLATE ASSY.—name, instrument panel (fuel main)
25	1	1	699634	PLATE ASSY.—name, instrument panel (bat. normal)
26	1	1	3986873	KNOB ASSY.—radio tone control
27	1	1	3986872	KNOB ASSY.—radio control volume
28	1	1	344803	LIGHTER ASSY.—cigarette (repl. 3986887)
—	1	1	6499811	CABLE ASSY.—shift indicator
—	1	1	—	PIN ASSY.—shift indicator cable pivot (ref. 701589)

7.042 INSTRUMENT CLUSTER ASSEMBLY (Cont.)

—	1	1	6462137	SENDER UNIT ASSY.—engine oil pressure
—	1	1	6402383	SENDER UNIT ASSY.—engine water temperature
—	1	1	8910897	RIBBON ASSY.—instrument panel illumination (w/695895 retainer)
—	4	4	695895	RETAINER—battery normal and fuel main (name plate to instrument panel) & w/8910897 ribbon assy.
—	1	1	8911591	SOCKET ASSY.—light (incl. lens & bulb) (socket assy. 8911591 connects to ribbon assy 8910897 for instrument panel illumination)
—	1	1	676543	STRAP—instrument panel
—	1	1	9340926	CONTROL ASSY.—a/c and heater (prior to 1975)
—	1	1	9345095	CONTROL ASSY.—a/c and heater (eff. w/1975)
—	1	1	9343695	CONTROL ASSY.—heater (prior to 1975)
—	1	1	9345085	CONTROL ASSY.—heater (eff. w/1975)
—	1	1	7932345	VALVE ASSY.—temperature (3-port)
—	1	1	9340919	VALVE ASSY.—select (9-port)
—	3	3	7304177	KNOB—select, temperature and blower
—	2	2	7308915	RETAINER—dial
—	1	1	1223499	DIAL PACKAGE—(incl. dial, knobs and retainers) (a/c & heater control assy.)
—	1	1	1223501	DIAL PACKAGE—(incl. dial, knobs and retainers) (part of 9343695 heater control assy.)
—	1	1	1223595	DIAL KIT—(incl. knobs and retainers) (part of 9345085 heater control assy.) (SOA)
—	1	1	1223619	DIAL KIT—(includes knobs and retainers) (part of 9345095 a/c & heater control)
—	1	1	9342580	LEVER ASSY.—temperature (part of 9345085, 9345095 control assy.) (SOA)
—	1	1	9342581	LEVER ASSY.—select (part of 9345085, 9345095 control assy.) (SOA)
—	1	1	7932904	CAM—cable drive (part of 9345085, 9345095 control assy.)
—	1	1	7932907	CAM—temperature (part of 9345095 control assy.)
—	1	1	356135	MODULE ASSY.—probe, low coolant (black plastic)

7.043 SPEEDOMETER AND DRIVE

—	1	1	6499484	CLUSTER ASSY.—(includes next 7 items) (prior to Serial No. 6V100878) (ref. only)
—	3	3	6465923	SOCKET ASSY.—cold (repl. 6456309)
—	4	4	6288046	SOCKET ASSY.—hi-beam (repl. 6459502)
AR	AR	AR	6456923	SOCKET ASSY.—illumination SOA
—	1	1	6499519	SPEEDOMETER ASSY.
—	2	2	9425542	BULB
—	2	2	6458053	LENS—cluster, miles/gauge (4" O.D.) SOA
—	1	1	6493204	CIRCUIT—printed
—	1	1	8989366	CLUSTER ASSY.—Miles instrument (eff. w/Serial No. 6V100878) (incl. next 6 items) (repl. 6499484)
—	1	1	6456923	SOCKET ASSY.—cold (used w/8989366) SOA
—	2	2	6288046	SOCKET ASSY.—hi-beam (used w/8989366) SOA (repl. 6459502)
—	2	2	6456923	SOCKET ASSY.—illumination (used w/8989366) SOA
—	1	1	8989939	SPEEDOMETER ASSY.—Miles instrument (used w/8989366) SOA
—	1	1	6458053	LENS—cluster (used w/8989366)
—	1	1	6493204	CIRCUIT ASSY.—printed (used w/8989366) SOA
—	3	3	—	CLIP—speedometer driven gear (procure locally) (ref. 127879)
—	1	1	716612	GROMMET—speedocable thru firewall
—	1	1	8625094	RETAINER—gear, speedometer drive
—	1	1	9419000	SCREW ASSY.—speedometer drive gear (1/4-20 x 1/2 hex)
—	1	1	103319	WASHER—lock, speedometer drive gear screw (1/4)
—	1	1	9422232	SCREW—clip, speedometer drive gear (5/16-12 x 5/8)
—	1	1	699605	SHAFT ASSY.—flexible, speedometer
—	—	1	790600	SHAFT ASSY.—flexible, speedo to sensing switch (w/low note, 76 DBA)
—	—	1	6478129	SHAFT ASSY.—flexible, sensing switch to trans. (w/low note, 76 DBA) (repl. 6478272)

7.045 LAMP — INSTRUMENTS AND TELL TALE

1	1	6499752	LAMP ASSY.—tell tale (incl. next 4 items)
1	1	6499755	CIRCUIT ASSY.—printed (w/6499752 lamp assy.)
7	7	6499601	SOCKET ASSY.—(w/6499752 lamp assy.)
1	1	6499754	FILTER—tell tale (w/6499752 lamp assy.)
1	1	6499753	HOUSING—tell tale (w/6499752 lamp assy.)
1	1	8989860	LAMP ASSY.—tell tale (incl. next (4) items)
1	1	8989864	CIRCUIT ASSY.—printed SOA (w/8989860 lamp assy.)
8	8	8987452	SOCKET—tell tale (w/8989860 lamp assy.)
1	1	8989861	FII TFR—tell tale (w/8989860 lamp assy.)
1	1	8989512	HOUSING—tell tale (w/8989860 lamp assy.)
1	1	6499489	GAUGE ASSY.—cluster (incl. fuel, oil and temperature gauge)
1	1	697216	PLATE ASSY.—name, windshield wiper switch
1	1	697208	PALTE ASSY.—name, lamp switch
1	1	697225	PLATE ASSY.—name, windshield wiper switch
1	1	699633	PLATE ASSY.—name, battery boost
1	1	699634	PLATE ASSY.—name, battery normal
1	1	699635	PLATE ASSY.—name, main fuel tank
1	1	699636	PLATE ASSY.—name, auxiliary fuel tank
1	1	695895	RETAINER—battery normal and fuel main name plate to instrument panel
1	1	8910897	RIBBON ASSY.—illumination, instrument panel
1	1	326178	COVER—instrument panel radio opening
1	1	326179	RETAINER—cover, instrument panel radio opening
1	1	6481170	CIRCUIT—printed SOA
3	3	6456923	SOCKET ASSY.—cold (repl. 6456309)
4	4	6459502	SOCKET ASSY.—hi-beam SOA
2	2	9425542	BULB—hi-beam lamp
2	2	6458083	LENS—hi-beam lamp
1	1	6493721	FILTER—generator & brake
8	8	1550706	BULB PKG.—tell tale (pkg. of 10)
1	1	2006642	BULB & FUSE KIT—drive convenience (emergency)

7.050 SENDING UNIT — HOLDING TANK

1	1	6429634	SENDER ASSY.—holding unit (repl. 6429587)
1	1	1516395	GASKET—sender unit
1	1	6429637	GASKET—holding tank sender
1	1	2987004	WIRE—ground, sending unit (use w/6429587 sender)
2	2	—	NUT ASSY.—wire to sending unit (repl. 271169) (use w/6429587 sender) (procure locally)
2	2	—	WASHER—wire to sending unit (procure locally) (ref. 138479)

7.070 SWITCHES — MISCELLANEOUS

1	1	1597232	SWITCH ASSY.—low fuel (electronic) (repl. 1596747, 1597232 (repl. 6495299)
1	1	9794682	SWITCH ASSY.—stop lamp and cruise control (repl. 3902264)
1	1	3886907	SWITCH ASSY.—stop lamp (standard) (see brake pedal illustration)
1	1	1994153	SWITCH ASSY.—safety, transmission and backing lamp
2	2	3981828	RETAINER—safety switch, transmission and backing lamp
2	2	1386691	SWITCH ASSY.—dome lamp (see dome lamp and speaker illustration)
1	1	1997043	SWITCH ASSY.—dimmer, headlamp
1	1	1995194	SWITCH ASSY.—headlamp (repl. 1995186)
1	1	3986886	ROD ASSY.—headlamp switch
1	1	20071252	CYLINDER ASSY.—lock, ignition switch (1973) (repl. 413898)
1	1	20071252	CYLINDER—lock, ignition switch (1974) (repl. 9735300)
1	1	1681300	CYLINDER ASSY.—lock, ignition switch (eff. w/1975)
1	1	9662504	SWITCH ASSY.—door ajar
1	1	673499	FLASHER—turn signal and warning (prior to 1977)
1	1	491392	FLASHER ASSY.—turn signal (eff. w/1977)
1	1	673499	FLASHER ASSY.—hazard lamp (eff. w/1977)
—	1	790319	SWITCH ASSY.—battery (rocker) (eff. w/1975)
1	1	700994	SWITCH ASSY.—dual battery (rocker) (prior to 1975)
1	1	694946	SWITCH—low air warning (refer group 14.002 for illustration) (prior to Serial No. 6V100878)
1	1	444148	TEE—low air warning switch (refer group 14.002 for illustration)
1	1	494883	SWITCH—city country horn (used w/9000062 horn assy.)

ELECTRICAL

KEY 230 260 PART NUMBER

7.070 SWITCHES — MISCELLANEOUS (Cont.)

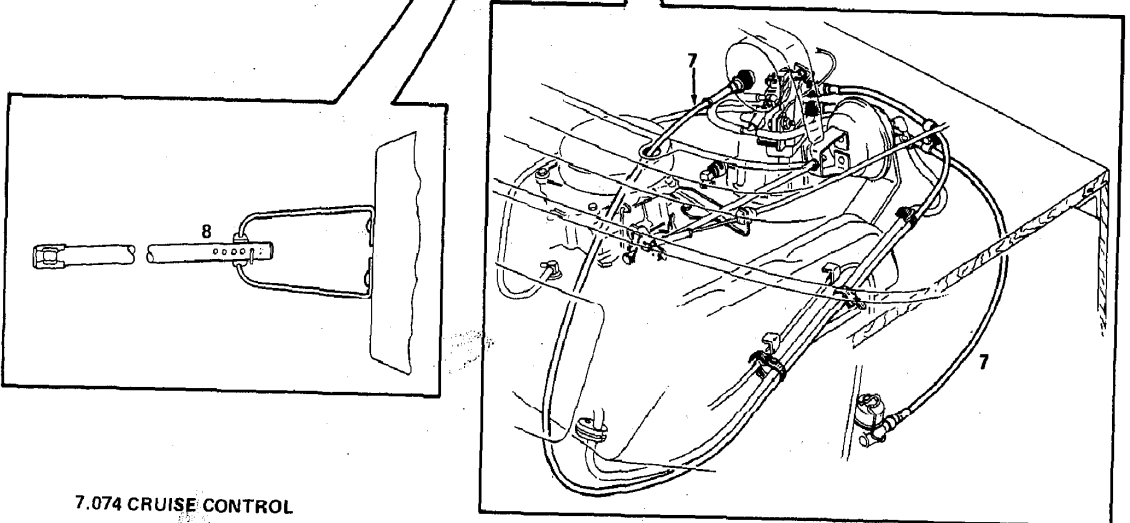
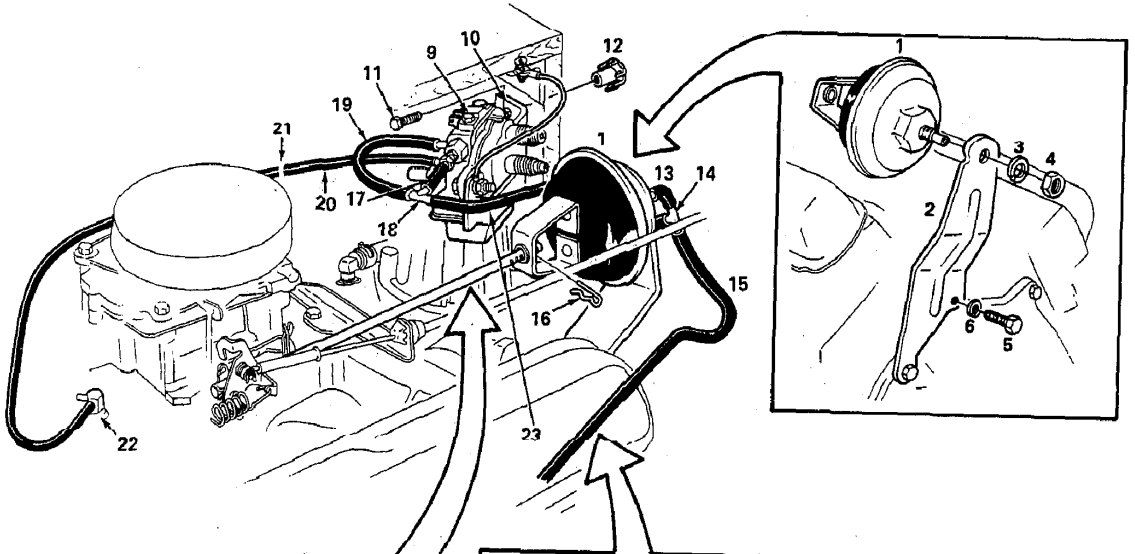
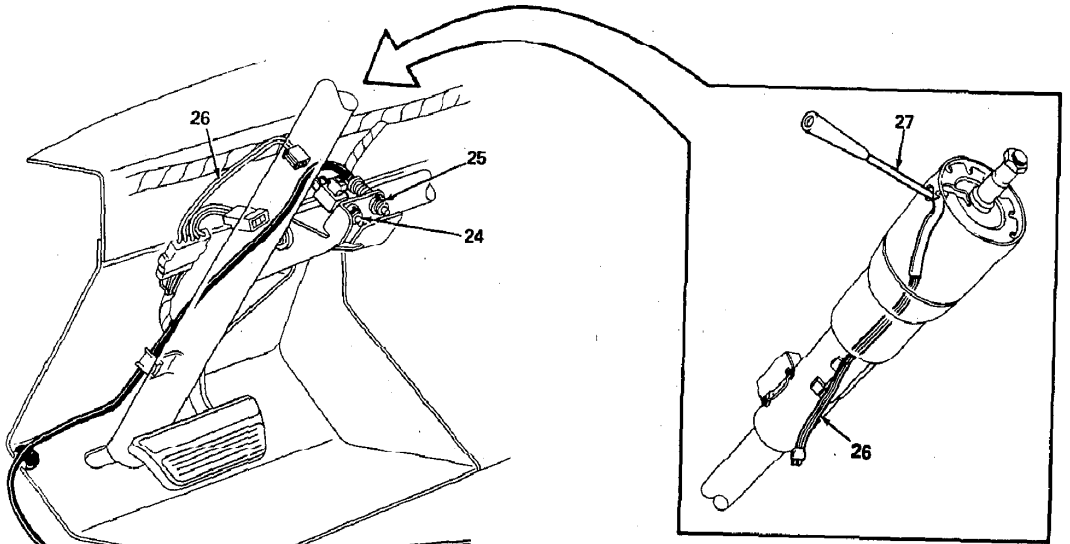
—	1	1	2257158	SWITCH ASSY.—magnetic starter solenoid
—	AR	AR	700955	BLOCK—battery junction
—	—	1	340409	BLOCK ASSY.—junction, air compressor to ground wire (eff. w/1976)
—	1	1	1242101	SWITCH ASSY.—transmission downshift
—	1	1	700994	SWITCH ASSY.—selector, fuel tank
—	1	1	702795	SWITCH ASSY.—windshield washer
—	1	1	706751	DIODE ASSY.—dual battery (prior to 1978)
—	1	1	2024077	DIODE ASSY.—(w/RPO LO4) (eff. w/1978)
—	1	1	7812526	SELECTOR UNIT—ignition switch
—	1	1	7812210	CAM ASSY.—canceling, turn signal
—	1	1	7804414	SWITCH ASSY.—buzzer, steering column
—	1	1	7804419	CLIP—retaining, buzzer switch
—	1	1	7805376	ACTUATOR ASSY.—ignition switch (w/tilt steering wheel) (ref. only)
—	1	1	7819749	ACTUATOR ASSY.—ignition switch (w/tilt steering wheel) (repl. 7805376)
—	1	1	9788182	CLIP—stop lamp switch to bracket (see brake pedal illustration)
—	1	1	1952727	NUT—mounting, headlamp switch (7/16-28 UNEF-24thd.)
—	1	1	1990099	SWITCH ASSY.—ignition (w/tilt steering wheel) (repl. 1990096)
—	1	1	7804518	CLIP—retaining, buzzer switch
—	1	1	7811092	SWITCH ASSY.—buzzer (w/tilt steering wheel)
—	1	1	1115858	RELAY—heater
—	1	1	3929054	RESISTOR ASSY.—heater (First Design)
—	1	1	3942651	RESISTOR ASSY.—heater (Second Design)
—	1	1	6462137	SWITCH ASSY.—sender unit engine oil pressure
—	1	1	701215	RELAY—thermal, buzzer (w/red warning light on dash, set to travel)
—	2	2	3981828	RETAINER—switch, transmission and safety
—	2	2	—	SCREW—switch, transmission and safety (ref. 9420591)
—	1	1	3028795	SWITCH ASSY.—thermo, heater to blower
—	1	1	6272089	SWITCH ASSY.—cut-off pressure (w/air conditioning) (repl. 6262646)
—	1	1	8526398	RING—"O" pressure switch to tube (w/air conditioning)
—	1	1	1223127	SWITCH ASSY.—blower (used with 9343695 control)
—	1	1	1223590	SWITCH KIT—blower (used with 9345085 control)
—	1	1	9340540	SWITCH ASSY.—selector (part of 9345085, 9345095 control assy.)
—	1	1	715215	GROMMET—trans. switch to dash panel (1-1/8 I.D. x 1-1/2 O.D. x 29/64 thk.)
—	1	1	413473	SWITCH ASSY.—thermal vacuum
—	AR	AR	9436263	HOSE—dist. to vac. control switch & vac. control switch to carburetor rear (25 ft. roll, CTL) (repl. 415899)
—	2	2	2007701	SWITCH ASSY.—level control, raise & lower (w/RPO GYE) (eff. w/Serial No. 6V100878)
—	1	1	2007702	SWITCH ASSY.—level control, travel hold (w/RPO GYE) (eff. w/Serial No. 6V100878)

7.072 SWITCH — DIRECTIONAL LAMP

—	1	1	1997963	SWITCH ASSY.—directional (incl. next 4 items)
—	1	1	1964784	SPRING—canceling, RH
—	1	1	1964785	SPRING—canceling, LH
—	1	1	1967684	SPRING—detent
—	1	1	1967685	SPRING—lane change
—	1	1	408237	LEVER ASSY.—turn signal (std.)
—	1	1	411525	KNOB—hazard warning
—	—	1	11502830	SCREW—hazard warning knob
—	—	1	11502765	SCREW—hazard warning knob (opt.)
—	1	1	6465256	LEVER ASSY.—turn signal and cruise control (incl. switch and next 3 items) (RPO No. K30) See 7.074 illustration
—	1	1	6466018	SWITCH ASSY.—cruise control (mtd. in turn signal lever) (see 7.074 illustration)
—	1	1	6465784	BUTTON—cruise control turn signal lever
—	1	1	6465255	RING—retaining, cruise control button
—	1	1	413585	CONNECTOR—hose, engine to thermal vacuum switch & trans., & turn signal

NOTES

ELECTRICAL



7.074 CRUISE CONTROL

ELECTRICAL

KEY 230 260 PART NUMBER

7.074 CRUISE CONTROL

1	1	1	6494927	POWER UNIT—speed cruise control (prior to 1975) (w/413610, 416542, 417794, 418694 engine)
1	1	1	6494938	POWER UNIT—speed cruise control (eff. w/1975) (w/413610, 416542, 417794, 418694 engine)
1	1	1	6466383	POWER UNIT—speed cruise control. (incl. chain assy.) (eff. w/1975) (repl. 6466690) (w/413610, 416542, 417794, 418694, 556626 & 556627, 561032, 561033 engine)
1	1	1	6466690	POWER UNIT—speed cruise control, (incl. chain assy.) (eff. w/interm. 1977) (w/556626, 556627 engine) (ref. only)
2	1	1	700436	BRACKET—control power unit to engine
3	1	1	—	WASHER—lock, power unit to bracket (9/16) (procure locally)
4	1	1	—	NUT—hex, power unit to bracket (9/16-18) (procure locally)
5	1	1	—	BOLT—hex, transducer to bracket (1/4-20 x 3/4) (procure locally)
6	1	1	—	WASHER—lock, transducer to bracket bolt (1/4) (procure locally)
7	1	1	699211	CABLE ASSY.—speedometer transmission to transducer (prior to 1975)
7	1	1	793191	CABLE ASSY.—speedometer transmission to transducer (eff. w/1975)
8	1	1	409527	ROD ASSY.—power unit to carburetor lever ball stud (SOA) (prior to 1975)
8	1	1	6466384	CHAIN ASSY.—cruise control (w/6466383 & 6494938 power unit) (eff. w/1975) (repl. 793182)
—	1	1	793181	BRACKET—chain guide (w/793182)
9	1	1	6466628	TRANSDUCER—cruise control (repl. 6465477, when replacing w/6466180 also use 699065 bracket) (repl. 6466180)
10	1	1	699065	BRACKET—mounting, transducer (used w/6465477, 6466180 transducer)
11	2	2	—	BOLT—hex, transducer bracket to floor riser (1/4-20 x 1) (procure locally)
12	2	2	693207	NUT—tee transducer bracket to floor riser bolt (1/4-10 tee nut)
13	1	1	6294397	ELBOW—tee to cruise control power unit
14	1	1	6465399	TEE—power unit hose
15	AR	AR	8885031	HOSE—power unit tee to vacuum dump valve (25 ft. long, CTL)
16	1	1	1244707	RETAINER—ball stud rod at power unit (repl. 1351769)
17	AR	AR	2224567	HOSE—tee to transducer (39 inches long, CTL)
18	1	1	5646002	TEE—transducer (package) (replaces 5646297)
19	AR	AR	2224567	HOSE—transducer to tee (39 inches long, CTL)
20	AR	AR	8885031	HOSE—intake manifold to transducer (27/64" O.D. x 7/32" I.D.) (25 ft. long, CTL) (repl. 1599036)
21	3	3	657558	STRAP—band vacuum dump valve hose
22	1	1	413584	CONNECTOR—hose at intake manifold
23	AR	AR	2224567	HOSE—tee, transducer to power unit (39" lg, CTL)
24	1	1	—	SWITCH ASSY.—stop lamp and cruise control (see group 7.070)
25	1	1	6465213	VALVE ASSY.—vacuum dump cruise control
26	1	1	8913571	HARNESS ASSY.—wiring, cruise control and stop lamp switch
27	1	1	—	LEVER AND SWITCH ASSY.—turn signal and cruise control (see group 7.072)
—	1	1	2017885	STUD—cruise control mounting (eff. w/interm. 1977) (w/556626, 556627 engine)
—	1	1	1600969	CLIP—cruise control ball chain (eff. w/interm. 1977) (w/556626, 556627 engine)
—	1	1	455561	SPRING—cruise control ball chain clip retainer (eff. w/interm. 1977) (w/556626, 556627 engine)
—	1	1	2965950	RETAINER—spark plug wire, left hand side
—	1	1	396484	BRACKET—mounting spark plug wire retainer
—	1	1	715216	GROMMET—vacuum dump valve hose through toe panel (1-1/8 I.D. x 1-1/2 O.D.)
—	1	1	3979315	CLIP—hose, vacuum dump valve hose (.38 I.D. closed)
—	1	1	693207	NUT—speedometer cable to floor riser clip bolt tee
—	1	1	NPN	STRAP—ground, transducer (make from 20 gauge wire, CTL) (used w/6465477 transducer)
—	1	1	3943610	CLIP—flasher, turn signal lamp (eff. w/1977)

7.076 HORN — ELECTRIC

—	1	1	1892164	HORN ASSY.—electric ("A" note) (repl. 9000011 [stdp. 9000514]) (prior to 1978)
---	---	---	---------	--

7.076 HORN — ELECTRIC (Cont.)

—	1	1	1892163	HORN ASSY.—electric ("F" note) (repl. 9000239 [stpd. 9000513] (prior to 1978)
—	1	1	2029365	HORN ASSY.—electric (high note) (1978)
—	1	1	2029366	HORN ASSY.—electric (low note) (1978)
—	2	2	2273809	RIVNUT
—	1	1	9000062	HORN—city country (low delibel note) (1974)
—	1	1	1958667	BRACKET—horn mounting (1974)
—	1	1	2426078	NUT—horn to bracket (1974)
—	1	1	404095	PROCTOR—horn relay cap & stud (eff. w/1978)

NOTE: See group 7.080 for horn relay.

7.078 CIRCUIT BREAKERS

—	1	1	2301786	BREAKER ASSY.—circuit, 60 amp. (living area battery section, KLIXON # CDLA-60) (w/ZEO 6582, ZEO 6584)
—	1	1	2474055	BREAKER ASSY.—circuit, air susp. (30 amp.)
—	1	1	2212295	BREAKER ASSY.—circuit, inst. panel wiring (60 amp.) (3 5/32 lg. x 1 7/8" wide)
—	—	1	NPN	BREAKER ASSY.—circuit, refrig. inverter (w/neon light & red button) (norcold div. #: 163-201-100)
—	—	1	790868	BLOCK ASSY.—fuse (includes 7 fuse mtg. clip) (1975)
—	—	1	796334	BOX ASSY.—junction (located under second front ceiling panel) (eff. w/1975)
—	1	1	12004386	BLOCK ASSY.—fuse (w/12000947 harness assy.)
—	—	1	796335	COVER ASSY.—junction (located under second front ceiling panel) (eff. w/1975)
—	—	2	1946134	SPACER—screw, junction box (eff. w/1975 & prior to 1977) (repl. 2418710) (.205 I.D.)
—	—	2	2418710	SPACER—junction box mounting (eff. w/1977) (.215 I.D.)
—	—	2	700368	RIVET—auxiliary circuit breaker & magnetic switch mounting block
—	—	2	9416197	SCREW—mounting, junction box (eff. w/1975) (10-24 x 5/8)
—	—	1	2007988	BRACKET—mtg., circuit breaker (w/ZEO 6582, ZEO 6584)
—	1	1	706751	DIODE ASSY.—dual battery (prior to 1978)
—	1	1	2024077	DIODE ASSY.—(w/RPO L04) (eff. w/1978)

7.078H ELECTRICAL, CLOCKS, SWITCHES

—	1	1	705771	CONVERTER—30 amp. voltage (Triad Utrad # TU334) (charger)
—	1	1	705772	CONVERTER—45 amp. voltage (prior to 1975) (Triad Utrad # TU344) (charger)
—	—	1	790315	CONVERTER—45 amp. voltage (eff. w/1975) (prior to 1978) (Triad Utrad # TU445-7) (charger)
—	—	1	2045153	CONVERTER—45 amp. voltage (1978) (Triad Utrad # TU550-2) (charger)
—	—	AR	790181	SPACER—converter mount RR (3/4" x 7.00" Aluminum) (w/ZEO 6581)
—	—	2	655605	SPACER—converter mount, front & rear (w/ZEO 6582, ZEO 6584)
—	—	1	2010518	BRACKET—converter side mount (w/ZEO 6582, ZEO 6584)
—	AR	AR	790182	SPACER—converter mount front (1/4" x 7 3/4" aluminum) (w/ZEO 6581)
—	—	1	2008353	BRACKET—front mount, converter (w/ZEO 6582, ZEO 6584)
—	—	1	2008349	BRACKET—rear mount, converter (w/ZEO 6582, ZEO 6584)
—	—	2	792175	MOUNT ASSY.—converter, front (w/790315)
—	—	2	792176	MOUNT ASSY.—converter, rear (w/790315)
—	1	1	716560	CLOCK—battery operated (w/RPO 690)
—	1	1	716559	CLOCK—battery operated (w/RPO 692, 693, 695, 696)
—	—	1	796200	CLOCK ASSY.—galley (battery operated) (eff. w/1975)
—	—	2	790344	SWITCH ASSY.—courtesy lamp (LPG/aux. generator compartment) (eff. w/1975)
—	—	10	791840	INSERT—thread, for expansion screw, for interior light (eff. w/1975)
—	—	1	799304	BOX ASSY.—receptacle, (plug) LH. (between swivel chairs) (eff. w/1975)
—	—	1	799297	RECEPTACLE ASSY.—plug (110V) LH. (between swivel chairs) (eff. w/1975)

ELECTRICAL

KEY 230 260 PART NUMBER

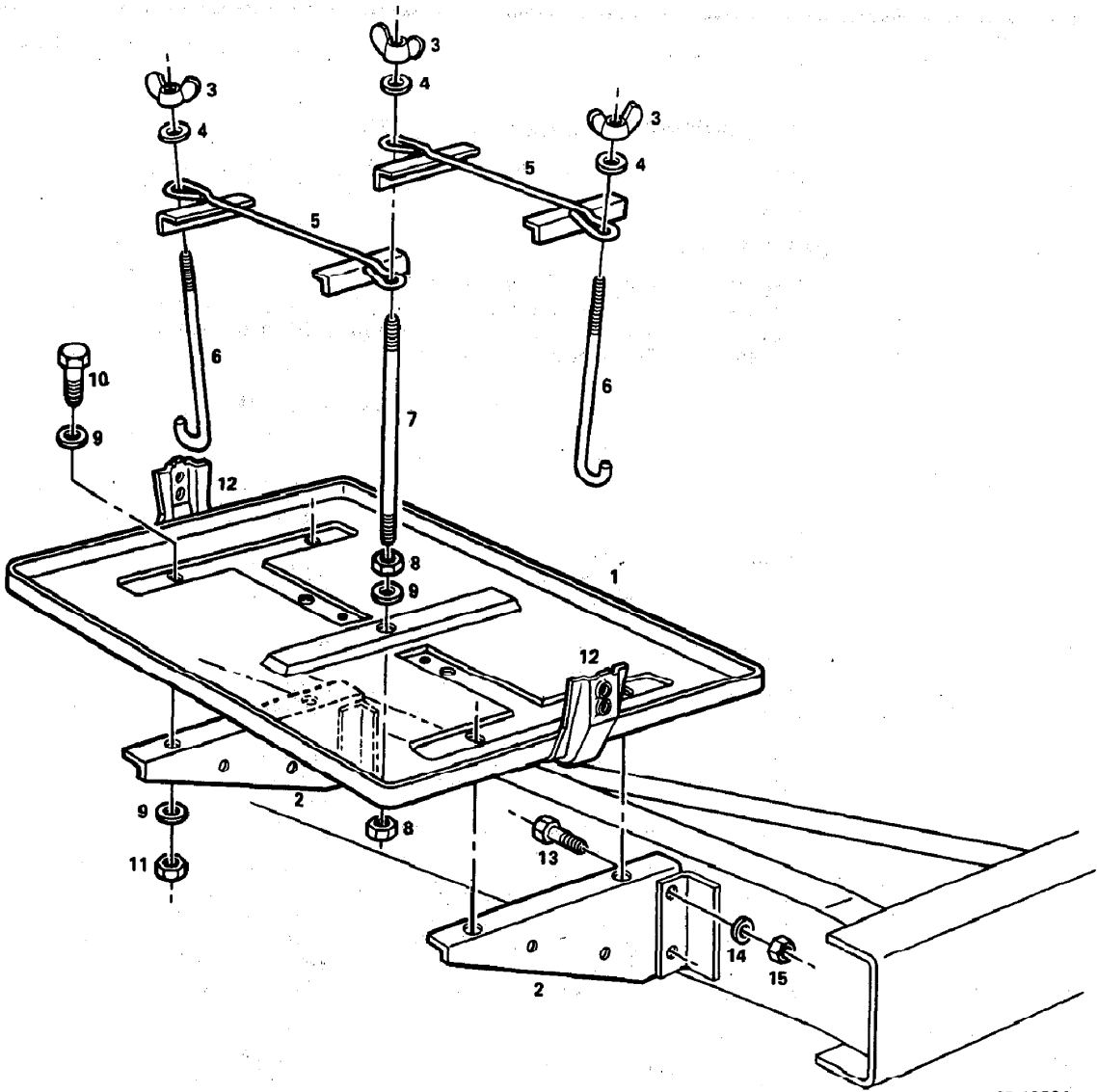
7.078H ELECTRICAL, CLOCKS, SWITCHES (Cont.)

— — 1 799302 PLATE—cover, duplex (receptacle) (brown) (eff. w/1975)

7.080 RELAYS

— 1 1 1115882 RELAY ASSY.—electric horn
— 2 2 1115858 RELAY—level control (w/RPO GYE) (eff. w/Serial No. 6V100878)
— 1 1 701215 RELAY—thermal, buzzer (w/red warning light on dash, set to travel)
— 1 1 366408 RELAY—heater blower delay

ELECTRICAL



3P-10004

7.085 BATTERY MOUNTING

7.085 BATTERY MOUNTING

—	—	1	NS	BATTERY—12 volt (procure Delco Extra Duty) (eff. w/1975)
—	2	2	NS	BATTERY—12 volt (procure Delco batteries from UMS) (prior to 1975)
1	1	1	693849	TRAY ASSY.—battery (prior to 1975)
1	1	1	693849	TRAY ASSY.—battery (Transmode)
1	—	1	790629	TRAY ASSY.—battery (eff. w/1975) (Prior to 1977) (Motorhome)
1	—	1	2005494	TRAY ASSY.—battery (Motorhome) (eff. w/Serial No. 7V100040)
1	2	2	2005494	TRAY ASSY.—battery (Transmode) (eff. w/Serial No. 7V100040)
2	—	1	790630	BRACKET—rear, tray (w/790629 & 2005494)
2	—	1	790631	BRACKET—front, tray (w/790629)
2	—	1	—	BRACKET—front, battery tray (w/2005494) (ref. 2005492) (make locally)
2	2	2	—	BRACKET—battery tray (w/2005494) (Transmode) (ref. 2005492) (make locally)
2	2	2	706388	BRACKET—battery tray (w/693849) (Transmode)
3	3	3	—	NUT—wing, battery retainer (procure locally, 2005494)
4	3	3	3790662	WASHER—retainer stud (w/693849) (.320 I.D. x 1.00 O.D.)
4	—	2	9418304	WASHER—wing nut (w/790629, 2005494) (.688 I.D. x .344 O.D.)
5	—	1	580517	RETAINER—stud (w/790629)
5	—	1	3902542	RETAINER—battery (wood) (repl. 533308) (repl. 2479377) (w/790629, 2005494)
5	2	2	3902542	RETAINER—battery (wood) (repl. 533308) (w/2005494)
5	1	1	716623	RETAINER ASSY.—battery (w/693849)
6	2	2	671305	STUD—battery tray retainer, "J" style (w/693849)
6	—	2	325053	BOLT—retainer to tray, "J" style (w/790629) (repl. 3758788)
6	—	2	3826708	BOLT—retainer to tray, "J" style (w/2005494)
6	—	2	790056	STUD—battery hold down (w/790629)
7	1	1	NS	STUD—center, battery tray (w/693849) (ref. 3715712)
8	2	2	9417954	NUT—battery center stud (5/16-18 hex) (w/693849)
9	9	9	9418304	WASHER—battery stud (5/16, plain) (w/693849)
9	—	8	2436162	WASHER—bolt, tray to bracket (w/790629) (.341 I.D. x .620 O.D.)
10	—	4	9418918	BOLT—tray to bracket (w/790629) (5/16-18 x 1")
10	4	4	9418918	BOLT—tray to bracket (w/2005494) (5/16-18 x 1")
10	4	4	9430677	BOLT—battery tray to bracket (5/16-18 x 1, hex, 300M) (w/693849)
11	4	4	9422295	NUT—battery tray to bracket bolt (5/16-18 hex) (procure locally) (w/693849)
11	—	4	9422275	NUT—tray to bracket bolt (w/790629) (5/16-18 301M)
11	4	4	9422275	NUT—tray to bracket bolt (w/2005494) (5/16-18 301M)
12	2	2	3766219	BRACKET—battery tray clamp
13	4	4	NPN	BOLT—battery tray bracket (3/8-16 x 1, hex)
14	4	4	2436163	WASHER—battery tray bracket bolt (3/8, plain) (w/693849)
14	—	4	2436163	WASHER—bracket to frame bolt (w/790629, 2005494)
15	—	4	9422277	NUT—bracket to frame bolt (w/790629, 2005494)
15	4	4	9422277	NUT—battery tray bracket bolt (3/8-16, hex) (w/693849, 2005494)
—	1	1	2006274	PLATE—battery tray adapter (w/2005494) (Transmode) (eff. w/Serial No. 7V100040)
—	8	8	9424877	BOLT—battery tray adapter plate (5/16-18 x 3/4") (w/2005494) (Transmode) (eff. w/Serial No. 7V100040)
—	16	16	2436162	WASHER—battery tray adapter plate (w/2005494) (Transmode) (eff. w/Serial No. 7V100040)
—	8	8	9422275	NUT—battery tray adapter plate (w/200594) (Transmode) (eff. w/Serial No. 7V100040)
—	—	4	2009377	SCREW—battery tray
—	—	1	2032910	RETAINER—battery tray
—	—	2	2263568	STUD—battery holddown
—	1	1	NPN	LOCATOR—battery (eff. w/1975) (ref. 791975) (make locally)
—	—	1	2025764	SPACER—battery
—	—	1	2025901	BRACKET—battery locator (w/RPO KNC) (eff. w/1978)
—	—	1	2025800	BRACKET—battery box (w/RPO KNC) (eff. w/1978)
—	1	1	701142	DECAL—battery terminal

7.090 WIRING

—	1	1	8910952	STRAP ASSY.—engine ground
—	1	1	8910947	CABLE ASSY.—magnetic switch to starter (prior to 1977)
—	1	1	12000941	CABLE ASSY.—magnetic switch to starter (eff. w/1977)
—	1	1	8910948	CABLE ASSY.—battery to magnetic switch (prior to 1975)
—	—	1	12000224	CABLE ASSY.—battery post (eff. w/1975)

ELECTRICAL

KEY 230 260 PART NUMBER

7.090 WIRING (Cont.)

—	1	1	8910949	CABLE ASSY.—junction block to magnetic switch (prior to 1977)
—	1	1	12000942	CABLE ASSY.—junction block to magnetic switch (eff. w/1977)
—	1	1	8910950	CABLE ASSY.—junction block to fuse block
—	1	1	8910951	CABLE ASSY.—auxiliary battery to magnetic switch (prior to 1977)
—	1	1	12000945	CABLE ASSY.—auxiliary battery to magnetic switch (eff. w/1977)
—	1	1	12000944	CABLE ASSY.—magnetic switch to circuit breaker (eff. w/1977)
—	1	1	8910953	CABLE ASSY.—auxiliary battery to ground
—	1	—	8910999	CABLE ASSY.—circuit breaker to living area
—	—	1	8910955	CABLE ASSY.—circuit breaker to living area
—	—	1	12000196	CABLE ASSY.—magnetic switch to living area junction (eff. w/1975)
—	1	1	8910954	CABLE ASSY.—battery to ground (prior to 1975)
—	1	—	12000168	CABLE ASSY.—magnetic switch to living area (Transmode)
—	—	1	12000167	CABLE ASSY.—magnetic switch to living area (Transmode)
—	—	1	8907030	CABLE ASSY.—battery, negative (eff. w/1975) (prior to 1977) (repl. 12000225)
—	1	1	12002631	CABLE ASSY.—generator ground (w/RPO LO4) (1978)
—	1	1	12002633	CABLE ASSY.—generator diode (w/RPO LO4) (1978)
—	—	1	12000943	CABLE ASSY.—battery, negative (eff. w/1977)
—	1	—	8910944	HARNESS ASSY.—wiring, body (LH side) (prior to 1975)
—	—	1	8910943	HARNESS ASSY.—wiring, body (LH side) (prior to 1975)
—	1	—	12000954	HARNESS ASSY.—body wiring, LH side (eff. w/Serial No. 6V100878) (Transmode)
—	—	1	12000953	HARNESS ASSY.—body wiring, LH side (eff. w/Serial No. 6V100878) (Transmode)
—	—	1	12000221	HARNESS ASSY.—body wiring, LH (eff. w/1975) (prior to Serial No. 6V100878)
—	—	1	12000952	HARNESS ASSY.—body wiring, LH (eff. w/Serial No. 6V100878) (Motorhome)
—	1	1	8915308	HARNESS ASSY.—wiring, engine (replaces 8910941) (w/413610, 416542 engines)
—	1	1	12002607	HARNESS ASSY.—wiring, engine (w/RPO NB4) (eff. w/Serial No. 6V100878) (prior to 1977)
—	—	1	12002603	HARNESS ASSY.—level control (STD) (eff. w/Serial No. 6V100878) (prior to 1978)
—	—	1	12002605	HARNESS ASSY.—level control (w/RPO GYE) (eff. w/Serial No. 6V100878)
—	1	1	12002636	HARNESS ASSY.—level control (1978)
—	—	1	12002638	HARNESS ASSY.—level control side body (1978)
—	1	—	12002639	HARNESS ASSY.—level control side body (1978)
—	1	—	12002613	HARNESS ASSY.—level control (STD) (eff. w/Serial No. 6V100878) (1978)
—	1	—	12002614	HARNESS ASSY.—level control (w/RPO GYE) (eff. w/Serial No. 6V100878) (1978)
—	1	1	12002604	HARNESS ASSY.—level control, instrument panel (w/RPO GYE) (eff. w/Serial No. 6V100878) (prior to 1977)
—	1	1	12002618	HARNESS ASSY.—level control (w/RPO GYE) (eff. w/1977)
—	1	1	12006500	HARNESS ASSY.—sensor wiring (eff. w/1978)
—	1	1	12000949	HARNESS ASSY.—wiring, engine (w/RPO NB4) (eff. w/1977)
—	1	1	12000320	HARNESS ASSY.—wiring, engine (w/RPO NB4) (prior to Serial No. 6V100878)
—	1	1	12000179	HARNESS ASSY.—wiring, engine (w/417794 engine) (prior to Serial No. 6V100878)
—	1	1	12002602	HARNESS ASSY.—wiring, engine (w/417794 engine) (eff. w/Serial No. 6V100878) (prior to 1977)
—	1	1	12000948	HARNESS ASSY.—wiring, engine (eff. w/1977) (STD)
—	1	1	12000951	HARNESS ASSY.—wiring, front roof (eff. w/Serial No. 6V100878) & prior to 1978)
—	1	1	12002635	HARNESS—wiring, front roof (1978)
—	1	1	8910940	HARNESS ASSY.—wiring, front roof (see dome lamp & speaker illustration) (prior to Serial No. 6V100878)
—	1	1	8910957	HARNESS ASSY.—wiring, fuel tank
—	1	1	8910942	HARNESS ASSY.—wiring, headlamp & park lamp (prior to 1975)
—	1	1	12000209	HARNESS ASSY.—wiring, headlamp & park lamp (eff. w/1975) (prior to Serial No. 6V100878)
—	1	1	12002601	HARNESS ASSY.—wiring, forward lamp (eff. w/Serial No. 6V100878) (prior to 1977)
—	1	1	12000950	HARNESS ASSY.—wiring, forward lamp (eff. w/1977)

ELECTRICAL

KEY 230 280 PART NUMBER

7.090 WIRING (Cont.)

—	1	1	8910958	HARNESS ASSY.—wiring, heater (First Design)
—	1	1	8915599	HARNESS ASSY.—wiring, heater (Second Design) (prior to 1977)
—	1	1	12000937	HARNESS ASSY.—wiring, (eff. w/ 1977)
—	1	1	8910939	HARNESS ASSY.—wiring, inst. panel (prior to 1975)
—	—	1	12000220	HARNESS ASSY.—instrument panel wiring (eff. w/ 1975) (prior to serial no. 6V100878)
—	1	1	12002600	HARNESS ASSY.—instrument panel wiring (eff. w/Serial No. 6V100878) (prior to 1977)
—	1	1	12000947	HARNESS ASSY.—instrument panel wiring (eff. w/ 1977)
—	1	1	12000936	HARNESS ASSY.—wiring, rear body (eff. w/Serial No. 6V100878)
—	1	1	8910946	HARNESS ASSY.—wiring, rear body (prior to Serial No. 6V100878)
—	1	1	8910945	HARNESS ASSY.—wiring, trailer
—	1	—	8913658	WIRE ASSY.—body, door ajar
—	—	1	8913657	WIRE ASSY.—body, door ajar, (RH)
—	1	1	8913674	WIRE ASSY.—engine compartment (see 7.004 illustration) (prior to 1977)
—	1	1	12000946	WIRE ASSY.—engine compartment (see 7.004 illustration) (eff. w/ 1977)
—	1	1	8910963	WIRE ASSY.—diode to magnetic switch (prior to 1977)
—	2	2	12000939	WIRE ASSY.—diode to magnetic switch (eff. w/ 1977)
—	1	1	8913708	WIRE ASSY.—ground, body to frame
—	1	1	8915506	WIRE—city country horn (use w/9000062 horn assy.) (1974)
—	—	1	12000288	HARNESS ASSY.—city/country horn (w/low note, 76 DBA)
—	1	1	8913905	WIRE—low level compressor (prior to Serial No. 6V100878)
—	—	1	12002606	WIRE ASSY.—level control, air compressor to ground (eff. w/Serial No. 6V100878)
—	1	1	12002637	WIRE ASSY.—level control, air compressor to ground (1978)
—	1	1	8910962	WIRE ASSY.—junction, diode to horn relay
—	1	1	—	WIRE ASSY.—license plate (make locally)
—	1	1	8910956	WIRE ASSY.—magnetic switch to ground
—	1	1	8913700	WIRE ASSY.—relay to heater blower
—	1	1	—	WIRE ASSY.—heater ground (procure locally)
—	1	1	8913665	WIRE ASSY.—air suspension warning buzzer
—	1	1	12002632	WIRE ASSY.—voltmeter (w/RPO LO4) (1978)
—	1	1	12006502	WIRE ASSY.—heater blower delay
—	1	1	8911591	SOCKET ASSY.—light (incl. lens & bulb)
—	—	1	12000837	HARNESS ASSY.—light and fan wiring (eff. w/ 1975) (repl. 12000199) (prior to Serial No. 5V101025)
—	—	1	12000934	HARNESS ASSY.—light and fan wiring (eff. w/Serial No. 5V101025) (exc./ ZEO 6582, ZEO 6584)
—	—	1	12002610	HARNESS ASSY.—light and fan wiring (w/ZEO 6582)
—	—	1	12002623	HARNESS ASSY.—light and fan wiring (w/ZEO 6584)
—	—	1	12002622	HARNESS ASSY.—light switch and bath wiring (w/ZEO 6584)
—	—	1	12002609	HARNESS ASSY.—light switch and bath wiring (w/ZEO 6582)
—	—	1	12000838	HARNESS ASSY.—light switch & bath wiring (eff. w/ 1975) (repl. 12000200) (exc./ ZEO 6582, ZEO 6584)
—	—	1	12000839	HARNESS ASSY.—furnace & mtr. gen. monitor wrg. (eff. w/ 1975) (repl. 12000201) (prior to Serial No. 5V101025)
—	—	1	12002611	HARNESS ASSY.—furnace & mtr. gen. monitor wrg. (w/ZEO 6582)
—	—	1	12002629	HARNESS ASSY.—furnace & mtr. gen. monitor wrg. (w/ZEO 6584) (repl. 12002624)
—	—	1	12000935	HARNESS ASSY.—furnace & mtr. gen. monitor wrg. (eff. w/Serial No. 5V101025) (w/724478 range)
—	—	1	12002616	HARNESS ASSY.—furnace & motor gen. monitor wrg. (w/2005742 range) (w/out ZEO 6582, ZEO 6584)
—	—	1	12000840	HARNESS ASSY.—refrig. & sender wrg. (eff. w/ 1975 & prior to serial no. 6V102006) (repl. 12000202) (exc./ ZEO 6582, ZEO 6584)
—	—	1	12002617	HARNESS—refrig. & sender wrg. (eff. w/serial no 6V102006) (exc./ ZEO 6582, ZEO 6584)
—	—	1	12000840	HARNESS ASSY.—refrig. & sender wrg. (w/ZEO 6582, ZEO 6584)
—	—	1	12000861	HARNESS ASSY.—switch & monitor wrg. (eff. w/ 1975) (repl. 12000203) (exc./ ZEO 6582, ZEO 6584)
—	—	1	12002608	HARNESS ASSY.—switch & monitor wrg. (w/ZEO 6582)
—	—	1	12002621	HARNESS ASSY.—switch & monitor wrg. (w/ZEO 6584)
—	1	1	2017564	HARNESS ASSY.—galley lamp jumper wiring (eff. w/ 1976)
—	—	1	12000233	HARNESS ASSY.—magnetic switch, LP compartment (eff. w/ 1975 & prior to 1976)
—	—	1	12002612	HARNESS ASSY.—aux. mag. switch (w/ZEO 6582)
—	—	1	12000234	HARNESS ASSY.—battery, ground (eff. w/ 1975)

ELECTRICAL

KEY 230 260 PART NUMBER

7.090 WIRING (Cont.)

—	—	1	12000235	HARNESS ASSY.—motor gen. battery (eff. w/1975)
—	—	1	12002615	HARNESS ASSY.—motor gen. battery (w/ZEO 6583) (eff. w/1977)
—	—	1	12002620	HARNESS ASSY.—motor gen. battery (aux 12-volt) (w/ZEO 6584)
—	—	3	NPN	BRACKET—harness clip (eff. w/1975) (ref. 791954) (make locally)
—	—	1	696218	HARNESS ASSY.—frame ground (eff. w/1975)
—	—	1	2000875	HARNESS ASSY.—110 volt MG, utility box to mg. compartment (eff. w/1975 & prior to 1977) (repl. 791121)
—	—	1	2018654	HARNESS ASSY.—110 volt MG, utility box to mg. compartment (eff. w/1977)
—	—	1	5157702	CLIP—harness, motor generator (w/2000875)
—	—	1	701122	WIRING KIT—3 duplex receptacles, wall socket (eff. w/1975)
—	AR	AR	700955	BLOCK—junction, battery
—	—	1	797889	HARNESS ASSY.—main wiring 110V (w/RPO UNR & exc./ RPO's APN, UNL) (eff. w/1975 & prior to 1977)
—	—	1	2013496	HARNESS ASSY.—main wiring 110V (w/RPO UNL & w/out CNV, UNR)
—	—	1	2013496	HARNESS ASSY.—main wiring 110V (w/RPO UNL & w/CNV, UNR)
—	—	1	791120	HARNESS ASSY.—main wiring, 110 volt, (w/out RPO CNV) (includes next 5 items) (eff. w/1975) (First Design)
—	—	1	796188	POWER CORD ASSY.—main (SOA)
—	—	1	—	ADAPTER—power cord (procure locally)
—	—	1	796189	PANEL ASSY.—circuit breaker (SOA)
—	—	1	796190	BREAKER ASSY.—main circuit (SOA)
—	—	1	796191	BREAKER ASSY.—secondary circuit (SOA)
—	—	1	796192	RECEPTACLE ASSY.—power (40 amp.) (SOA)
—	—	1	2006786	WIRING KIT—110 volt (electric receptacle) (w/ZEO 6582, ZEO 6584) (incl. 1-ivory duplex receptacle, 1-outlet box - pre punched, 4-jumbo metal duplex cover plates - 1-ivory, 1-brown, & 2-white)
—	—	1	791122	WIRING KIT—110 volt (electric receptacle) (exc./ ZEO 6582, ZEO 6584) (incl. 3-duplex receptacles one each ivory, white, brown, 3-outlet boxes pre punched, 4-jumbo metal duplex cover plates 1-ivory, 1-brown & 2-white, 1-std. metal duplex cover plate, 1-handly box blank cover plate)
—	—	1	2000280	HARNESS ASSY.—main wiring, 110 volt (STD) (eff. w/1975) (Second Design) (exc./ ZEO 6582, ZEO 6584)
—	—	1	799086	HARNESS ASSY.—main wiring, 110 volt, (w/RPO APN & exc./ RPO's UNL/CNV) (eff. w/1975)
—	—	1	799088	HARNESS ASSY.—main wiring, 110 volt, (w/RPO APN & CNV & exc./ RPO UNL) (eff. w/1975)
—	—	1	799090	HARNESS ASSY.—main wiring, 110 volt, (w/RPO APN & UNL & exc./ RPO CNV) (eff. w/1975)
—	—	1	799091	HARNESS ASSY.—main wiring, 110 volt, (w/RPO APN & CNV & UNL) (eff. w/1975)
—	—	1	799087	HARNESS ASSY.—main wiring, 110 volt (exc./ RPO's APN/CNV and w/RPO UNL) (eff. w/1975)
—	—	1	799089	HARNESS ASSY.—main wiring, 110 volt (w/RPO's CNV & UNL w/RPO APN) (eff. w/1975)
—	—	16	—	SCREW—receptacle (procure locally) (4-24 x 3/4) (ref. 9426489)
—	AR	AR	8885537	WIRE—flexgard convoluted conduit (battery to living area) (25 ft. roll, CTL)
—	2	2	708518	CLIP—harness, RH & LH side (w/791120 harness assy.)
—	AR	AR	2489333	GROMMET—body RH wire thru side (eff. w/1975)
—	—	1	2004621	RECEPTACLE ASSY.—outside electric, (RH) (w/RPO U97 & w/ZEO 6581)
—	—	1	2013918	RECEPTACLE ASSY.—outside electric (RH) (w/RPO U97 & w/ZEO 6582, ZEO 6584)
—	—	1	652036	CLIP—receptacle wiring harness (w/2004621 receptacle)
—	AR	AR	2003464	GROMMET—harness
—	—	2	2003464	GROMMET—harness (eff. w/1977) (w/ZEO 6584)
—	—	2	721167	GROMMET—harness (eff. w/1977) (w/ZEO 6581)
—	—	1	12002629	HARNESS ASSY.—furnace & MG monitor (repl. 12002624)
—	—	1	8913824	HARNESS ASSY.—heater/vacuum (w/out air conditioning)
—	—	1	12002634	HARNESS ASSY.—audio vox radio jumper
—	—	1	8913823	HARNESS ASSY.—heater & air conditioning vacuum (prior to 1977)
—	—	1	8913819	WIRE ASSY.—ambient sensor and press switch (w/air conditioning)
—	—	1	2282862	CLIP—engine wiring harness (w/air conditioning)

7.090 WIRING (Cont.)

—	—	1	2006784	HARNESS ASSY.—110 volt, motor generator (w/RPO KNE)
—	1	1	1115858	RELAY—level control (RPO GYE) (eff. w/1976) (prior to 1978)
—	—	1	2006778	HARNESS ASSY.—110 volt (w/RPO CNV, CNW & ZEO 6584)
—	—	1	797889	HARNESS ASSY.—110 volt (w/RPO CNV & ZEO 6581)
—	—	1	—	COVER—electrical wire (harness) (make locally) (ref. 2008300) (w/ZEO 6582)

7.091 CONNECTORS — WIRING

—	1	1	6288996	CONNECTOR ASSY.—male, engine harness (bulkhead)
—	1	1	8905116	CONNECTOR—female, body harness (LH side)
—	1	1	6288539	CONNECTOR—male, body harness (LH side)
—	2	2	2673407	CONNECTOR—female, engine harness, 2 contact, lock type (.976 x .856 x .267 high)
—	1	1	2973781	CONNECTOR—female, engine harness, 2 contact, lock type (.976 x .419 x .685 high) (cruise transducer)
—	1	1	6294493	CONNECTOR—female, engine harness (alternator)
—	1	1	8900826	CONNECTOR—male, engine harness (ambient sensor)
—	2	2	2973407	CONNECTOR—female, front roof harness, 2 contact, lock type (.976 x .856 x .267 high) (A/C compressor & downshift switch)
—	2	2	6288992	CONNECTOR—female, front roof harness (w/connector & cover, pan grip type)
—	1	1	2965036	CONNECTOR—male, fuel tank harness
—	1	1	2977253	CONNECTOR—female, headlamp & park lamp harness, 1 contact (.976 x .419 x .267 high)
—	2	2	2977804	CONNECTOR—female, headlamp & park lamp harness, & delay relay (w/3 female terminals)
—	2	2	2984855	CONNECTOR—female, headlamp & park lamp harness (w/round moulded connector)
—	1	1	6288890	CONNECTOR—male, headlamp & park lamp harness
—	1	1	2962510	CONNECTOR—female, heater harness, 3 contact, lock type (.976 x .809 x .507 high) (repl. 2962449)
—	1	1	2973386	CONNECTOR—female, heater harness, 3 contact, lock type (.976 x .616 x .758 high)
—	1	1	2977646	CONNECTOR—female, heater harness (3 female in-line terminals)
—	1	1	2977647	CONNECTOR—female, heater harness (2 female in-line terminals)
—	1	1	2984570	CONNECTOR—female, heater harness
—	1	1	—	CONNECTOR—male, heater harness (procure locally) (ref. 2984883)
—	—	3	8911773	CONNECTOR—male, RH & LH, front and rear lamp; bath and hall lamp (eff. w/1975) (w/12002623 harness)
—	—	2	8905222	CONNECTOR—male; galley lamp and E.G. harness (w/12000199, 12002623 harness assy.)
—	—	1	6294510	CONNECTOR—female, switch and monitor harness (small) (w/12000200 harness assy.)
—	—	1	6294509	CONNECTOR—female, switch and monitor harness (large) (w/12000200 harness assy.)
—	—	1	8900442	CONNECTOR—male, refrigerator, sender harness, and furnace & M.G. (eff. w/1975) (w/12002623 harness)
—	—	1	8900443	CONNECTOR—female, furnace & E.G. harness (w/12000200 harness assy.)
—	—	2	8911773	CONNECTOR—rear floor lamp (w/12000201 harness assy.)
—	—	1	8905205	CONNECTOR—female, lamp and fan harness (w/12000201 harness assy.)
—	—	1	8905206	CONNECTOR—female, E.G. at monitor (w/12000201 harness assy.)
—	—	2	2973407	CONNECTOR—female, refrigerator (w/12000202 harness assy.)
—	—	4	8911352	CONNECTOR—female, porch, galley, floor, water pump at monitor panel (w/12000203, 12002621 harness assy.)
—	—	1	6294508	CONNECTOR—female, LP switch & bath harness (w/12000203 harness assy.)
—	—	2	2965980	CONNECTOR—female, parking & signal front lamp (w/12000209 harness assy.)
—	—	2	2977804	CONNECTOR—female, head lamp (w/12000209 harness assy.)
—	—	1	2977253	CONNECTOR—female, horn (w/12000209, 12000950 harness assy.)
—	1	1	6288976	CONNECTOR—bulkhead
—	—	2	791665	CONNECTOR ASSY.—110V, 60 amp., blue (eff. w/1975 & prior to 1977)

7.091 CONNECTORS — WIRING (Cont.)

—	—	1	8905206	CONNECTOR—body female (4-receptacles) (w/ 12002620 harness assy.)
—	—	1	8905220	CONNECTOR ASSY.—body male (5-prongs) (w/ 12002620 harness assy.)
—	—	4	8911352	CONNECTOR—body porch, floor, galley & water pump (w/ 12002621 harness assy.)
—	—	4	6294647	CONNECTOR—body level monitor (w/ 12002621 harness assy.)
—	—	1	8905467	CONNECTOR—body to lamp switch (w/ 12002621 harness assy.)
—	—	1	8911773	CONNECTOR—body front lamp (w/ 12002621 harness assy.)
—	—	1	8905206	CONNECTOR—body Mg. St. monitor (w/ 12002621 harness assy.)
—	—	3	8911773	CONNECTOR—body RH rear lamp (w/ 12002621, 12002622 harness assy.)
—	—	1	2973407	CONNECTOR—body refrigerator (w/ 12002622 harness assy.)
—	—	1	6294509	CONNECTOR—body switch monitor (w/ 12002622 harness assy.)
—	—	1	2977647	CONNECTOR—body female (2-receptacles) (w/ 12002622 harness assy.)
—	—	1	8911772	CONNECTOR—body to light & fan (2-receptacles) (w/ 12002622 harness assy.)
—	—	1	8905205	CONNECTOR—body to light & fan (3-receptacles) (w/ 12002622 harness assy.)
—	—	1	8900442	CONNECTOR—body furnace (w/ 12002624 harness assy.)
—	—	1	8900443	CONNECTOR—body lamp to fan (w/ 12002624 harness assy.)
—	—	1	8905206	CONNECTOR—body Mg. St. monitor (w/ 12002624 harness assy.)
—	—	1	2973407	CONNECTOR—body recirc. toilet (w/ 12002624 harness assy.)
—	1	1	8911614	BLOCK—fuse, inst. panel harness
—	1	1	12000940	LINK—fuse, directional lamp (eff. w/ 1977)
—	2	2	2281754	CLIP—instrument panel wiring harness RH (eff. w/ 1977) (1/4 I.D. closed)
—	2	2	2416806	CLIP—instrument panel wiring harness (prior to 1977)
—	4	4	8874491	CLIP—harness, instrument panel to dash panel (1.125 I.D. w/ 468 bolt hole)
—	1	1	657558	CLIP—city country horn wire to instrument panel wiring harness (1974) (1/2 I.D. closed w/ 281 bolt hole)
—	5	5	708513	CLIP—wiring, rear body & roof wiring) (.612 I.D. closed)
—	1	1	2236474	CLIP—starter to magnetic switch cable (w/ 413610, 416542, 417794, 418694 engine)
—	1	1	2488949	CLIP—starter to magnetic switch cable (eff. w/ interm. 1977) (w/ 556626, 556627 engine)
—	4	4	3859766	CLIP—trailer wiring harness
—	1	1	2423777	CLIP—transmission switch lead (3/8 I.D. w/ 7/16 bolt hole)
—	6	6	NS	CLIP—wiring harness, side body (RH & LH) (prior to 1977) (ref. 8869177)
—	AR		674904	CLIP—wiring, 110V main door
—	—	4	708513	CLIP—wiring harness, side body (RH) (eff. w/ 1977) (.612 I.D. closed)
—	4	4	708513	CLIP—wiring harness, side body (LH) (Trans mode) (eff. w/ 1977) (.612 I.D. closed)
—	—	4	2381771	CLIP—wiring harness, side body (LH) (Motor Home) (eff. w/ 1977) (7/16 I.D. closed)
—	—	1	708513	CLIP—light switch harness (w/ 12002622 harness assy.) (.612 I.D. closed)
—	1	1	2281754	CLIP—wiring harness, fuel tank (1/4 I.D. closed)
—	1	1	2236474	CLIP—cable, magnetic switch to cooler
—	7	7	409794	CLIP—wiring harness, front headlamp & parking lamp (prior to 1977) (.675 I.D. closed)
—	8	8	2488353	CLIP—wiring harness, forward lamp (LH) (eff. w/ 1977)
—	2	2	721167	CLIP—wiring harness to frt. lower side LH & roof panel (3/4 I.D. closed) (repl. 2301257)
—	2	2	719489	CLIP—wire, resistor to heater box (repl. 2281756) (.375 I.D. closed)
—	2	2	2399080	CLIP—wire, turn signal lamp (.621 I.D. closed)
—	2	2	2416806	CLIP—wiring harness, instrument panel
—	—	5	2381771	CLIP—wiring harness, (used w/ 12000221) (7/16 I.D. closed)
—	1	1	721167	CLIP—wiring, mtr. gen. harness to battery hold down stud (repl. 651875) (prior to 1975) (1/2 I.D. w/ 13/32 bolt hole)
—	—	1	719488	CLIP—wiring, MTR. GEN. harness to battery hold down stud (eff. w/ 1975 & prior to 1977)
—	—	1	719488	CLIP—wiring mtr. gen. to battery hold down stud (w/ ZEO 6581) (eff. w/ 1977)

7.091 CONNECTORS — WIRING (Cont.)

—	—	3	120588	CLIP—wiring mtr. gen. to battery hold down stud (w/ZEO 6584) (eff. w/1977)
—	—	3	721167	CLIP—wiring 110V main harness (prior to 1977) (.75 I.D. closed)
—	—	AR	674904	CLIP—wiring 110V main harness (eff. w/1977)
—	1	1	5290433	CLIP—sensor wire
—	5	5	5297428	CLIP—sensor wire
—	1	1	1839906	CLIP—bulkhead splice
—	1	1	5290433	CLIP—ambient sensor splice
—	2	2	8911377	CLIP—downshift switch splice
—	4	4	8911377	CLIP—LH directional signal, parking lamp
—	1	1	5297428	CLIP—bulkhead splice
—	—	2	708513	CLIP—wiring 110V main harness (eff. w/1977)
—	1	1	5297428	CLIP—sleeve term (RH sensor) (w/12006500)
—	1	1	2977689	CONNECTOR—wiring harness, side body to inst. panel
—	1	1	2965972	CONNECTOR—wiring harness, frt. roof to inst. panel
—	1	1	2965980	CONNECTOR—wiring harness, side body
—	1	1	2977253	CONNECTOR—wiring harness, side body, 1 contact (.976 x .419 x .267 high)
—	1	1	2008027	GROMMET—rail, fuel tank wiring horn, thru beam belt
—	1	1	2411483	GROMMET—license plate wire
—	1	1	—	GROMMET—fuel tank wiring harness thru floor (procure locally)
—	2	2	—	CONNECTOR—female, inst. panel harness (procure locally)
—	1	1	—	CONNECTOR—female, inst. panel harness (procure locally)
—	2	2	2973385	CONNECTOR—female, inst. panel harness, 2 contact, lock type (.951 x .662 x .662 high), flasher & leveler warning
—	1	1	2973407	CONNECTOR—female, inst. panel harness, 2 contact, lock type (.976 x .856 x .267 high), back up lamp switch
—	1	1	2973781	CONNECTOR—female, inst. panel harness, 2 contact, lock type (.976 x .419 x .685 high), heater switch feed
—	1	1	2977645	CONNECTOR—female, inst. panel harness
—	1	1	2977690	CONNECTOR—female inst. panel harness (w/10 terminals, lock type)
—	1	1	2984235	CONNECTOR—female inst. panel harness, stop lamp switch
—	1	1	6294509	CONNECTOR—female, inst. panel harness, directional signal
—	1	1	6294641	CONNECTOR—female, inst. panel harness, ignition switch
—	1	1	6294642	CONNECTOR—female, inst. panel harness, main ground
—	1	1	8900855	CONNECTOR—female, inst. panel harness, 3 contact (2.3 x 2.33 x .7 high), dimmer switch
—	1	1	8905204	CONNECTOR—female, inst. panel harness, radio feed
—	1	1	8905205	CONNECTOR—female, inst. panel harness, 3 contact, pack-con, rear speaker
—	1	1	8905206	CONNECTOR—female, inst. panel harness, 4 contact, pack-con (1-508 x 1-133 x .455 high), front speaker
—	1	1	8905235	CONNECTOR—female, inst. panel harness, 2 mixed contact, round type (cigarette lighter)
—	2	2	8911352	CONNECTOR—female, inst. panel harness, battery/gas tank switch
—	1	1	8900717	CONNECTOR—female, leveler warning (w/12000220 harness assy.)
—	1	1	—	CONNECTOR—windshield wiper & washer switch/neutral safety switch, instrument panel (procure locally) (repl. 2962967)
—	1	1	—	CONNECTOR—dome lamps, front speakers, identification lamps and parking brake, at inst. panel (procure locally) (repl. 2965977)
—	1	1	2977763	CONNECTOR—male, inst. panel harness
—	1	1	6294544	CONNECTOR—male, inst. panel harness, low fuel warning
—	1	1	2984528	CONNECTOR—male, inst. panel harness, 1 contact, lock type (1.518 x .567 x .488 high), heater control lamp (repl. 8900420)
—	1	1	8900442	CONNECTOR—male, inst. panel harness, 6 contact, pack-con, cruise control
—	2	2	6294647	CONNECTOR—p/c, inst. panel harness, gauge cluster/speedometer
—	1	1	8900371	CONNECTOR—p/c instrument panel harness, tell-tale
—	1	1	—	LINK—fusible, turn signal (procure locally)
—	6	6	657558	STRAP—headlamp harness to auxiliary battery cable
—	2	2	NS	STRAP—generator wire to engine harness (ref. 657555) (includes next 3 items)
—	AR	AR	8885128	HOSE—generator wire to engine harness
—	1	1	657520	FITTING—generator wire to engine harness
—	1	1	657522	FITTING—generator wire to engine harness
—	2	2	657558	STRAP ASSY.—instrument panel harness level control (eff. w/1977) (repl. 8877974) (14.80" lg.)
—	AR	AR	657558	STRAP—engine heater, fuel tank harness (14.80" lg.)

ELECTRICAL

KEY 230 260 PART NUMBER

7.091 CONNECTORS — WIRING (Cont.)

—	2	2	657558	STRAP—battery to magnetic switch and body RH band (14.80" lg.)
—	2	2	409217	STRAP—fuel tank harness
—	1	1	676543	STRAP—speedometer wiring harness
AR	AR	1	657558	STRAP—wiring harness; generator cable
—	5	4	409217	STRAP—wiring harness to engine
—	—	1	790946	GROMMET—wiring harness, used (w/12000221)
—	1	1	8905381	SOCKET—light lamp, instrument panel
—	2	2	6294125	SOCKET—LH side marker lamp (w/1200950)
—	1	1	8911591	LENS—light lamp, instrument panel
—	2	2	388218	CLIP—wiring harness to valve cover (w/417794, 418694 engine)
—	2	2	395283	CLIP—wiring harness to valve cover (w/417794, 418694 engine)
—	1	1	6294508	CONNECTOR—LP switch and bath harness (w/12000861 harness)
—	1	1	8905652	CONNECTOR—ground, air compressor feed (STD) (eff. w/Serial No. 6V100878)
—	1	1	2965972	CONNECTOR—ground, air compressor feed (eff. w/Serial No. 6V100878)
—	1	1	8900826	CONNECTOR—body male (1-prong) (w/12002621 harness assy.)
—	1	1	2977253	CONNECTOR—ground, air compressor feed (eff. w/1978)
—	1	1	12004697	CONNECTOR—sleeve term (RH sensor) (w/12006500)
—	2	2	2977647	CONNECTOR—relay LH side (w/12002639)
—	2	2	2962510	CONNECTOR—relay LH side (w/12002639)
—	2	2	2977373	CONNECTOR—shut off solenoid LH side (12002639)
—	1	1	NPN	CONNECTOR— to sensor (w/12002639) (ref. 2965977) (procure locally)
—	1	1	8900826	CONNECTOR—ambient sensor (w/12000948)
—	2	2	2973407	CONNECTOR—downshift switch (w/12000948)
—	1	1	2973781	CONNECTOR—cruise transducer (w/1200948)
—	2	2	2965980	CONNECTOR—LH directional signal and parking lamp (w/1200948)
—	1	1	8917253	CONNECTOR—engine harness (w/12000948)
—	2	2	2962510	CONNECTOR—relay LH side (w/12002638)
—	2	2	2977373	CONNECTOR—shut off solenoid LH side (w/12002638)
—	2	2	2977647	CONNECTOR—relay LH side (w/12002638)
—	1	1	—	CONNECTOR—to sensor (w/12002638) (ref. 2965977) (procure locally)
—	1	1	12004843	CHOKE ASSY.—radio jumper SOA (w/12002634)
—	1	1	12004844	CAPACITOR—radio jumper (w/12002634)